

KALDEWEI

**FITTING REFERENCES
FOR YOUR
KALDEWEI WASHBASIN**



KALDEWEI FITTING REFERENCES

Be it freestanding, wall-hung, undercounter, countertop or built-in washbasin – there are fittings to suit every KALDEWEI washbasin in both design and functionality. The right combination of washbasin and tap merits careful consideration, as an ill-matched choice is a recipe for excessive splashing. To ensure the best possible pairing of your KALDEWEI washbasin with the fitting of your choice, your preferred fitting should ideally have a vertical spout and come with a built-in aerator. We also recommend regulating the water flow to no more than 7.5 l/min, with a water pressure set to 4 bar. Direct the impact point of the water away from the edge of the waste cover to prevent excessive splashing. In addition, always read the fitting manufacturer's guidance or recommendations.

QUICKFINDER

EMERSO MEISTERSTÜCK	3
CENTRO	5
CONO	7
MIENA	9
MING	11
CLASSIC	13
EMERSO	15
PURO	17
SILENIO	19

EMERSO



FITTING REFERENCES FOR EMERSO MEISTERSTÜCK WASHBASINS

		WITHOUT TAP HOLE		WITH TAP HOLE
Type of Installation	Model	Spout length of wall-mounted tap	Spout length of deck-mounted tap	Spout length of deck-mounted tap
Freestanding washbasin	3020 version A	<p>100 - 189 mm</p> <p>Wall distance $x + 100 - 189$ mm from basin's outer edge</p>	<p>100 - 189 mm</p> <p>Centre of tap hole $x + 100 - 189$ mm from basin's outer edge</p>	/
		<p>152 - 230 mm</p> <p>Wall distance $x + 152 - 230$ mm from basin's outer edge</p>	<p>152 - 230 mm</p> <p>Centre of tap hole $x + 152 - 230$ mm from basin's outer edge</p>	/

CENTRO



FITTING REFERENCES FOR CENTRO WASHBASINS

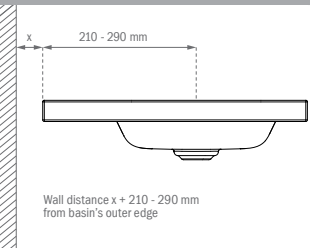
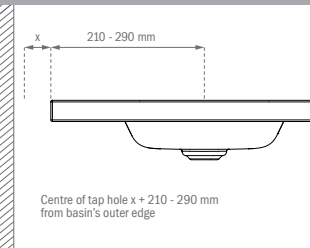
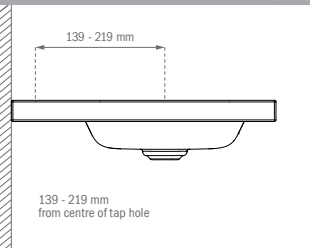
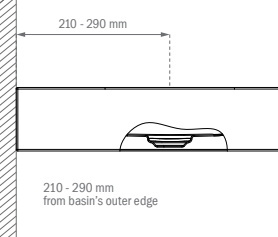
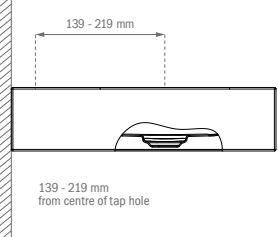
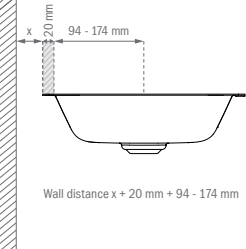
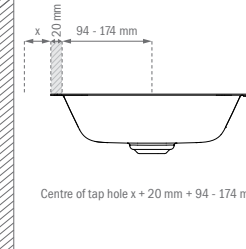
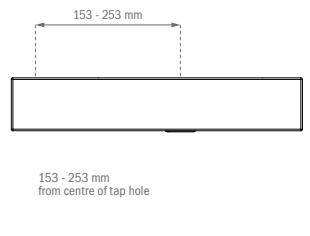
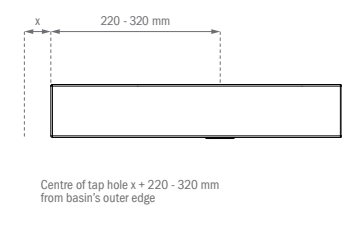
		WITHOUT TAP HOLE		WITH TAP HOLE
Type of Installation	Model	Spout length of wall-mounted tap	Spout length of deck-mounted tap	Spout length of deck-mounted tap
Built-in and countertop washbasins	3055 3056 3057 3058	<p>245 - 315 mm</p> <p>Wall distance $x + 245 - 315$ mm from basin's outer edge</p>	<p>245 - 315 mm</p> <p>Centre of tap hole $x + 245 - 315$ mm from basin's outer edge</p>	<p>140 - 210 mm</p> <p>140 - 210 mm from centre of tap hole</p>
		<p>245 - 315 mm</p> <p>245 - 315 mm from basin's outer edge</p>	/	<p>140 - 210 mm</p> <p>140 - 210 mm from centre of tap hole</p>
		<p>95 - 165 mm</p> <p>Wall distance $x + 25$ mm + 95 - 165 mm</p>	<p>95 - 165 mm</p> <p>Centre of tap hole $x + 25$ mm + 95 - 165 mm</p>	/

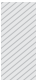
No tap fitting possible in this area

CONO



FITTING REFERENCES FOR CONO WASHBASINS

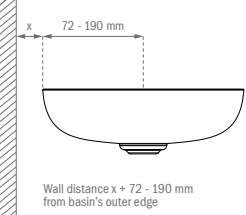
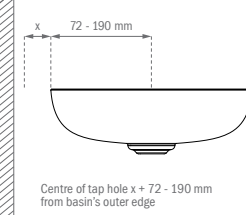
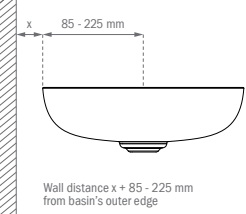
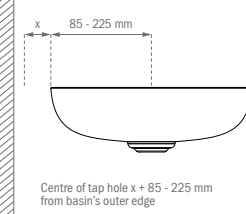
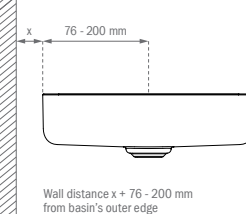
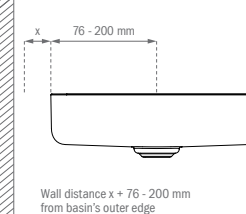
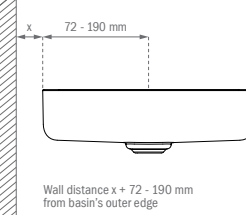
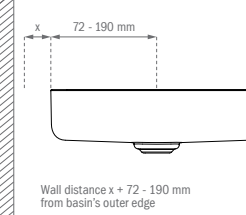
		WITHOUT TAP HOLE		WITH TAP HOLE			
Type of Installation	Model	Spout length of wall-mounted tap	Spout length of deck-mounted tap	Spout length of deck-mounted tap			
Built-in and countertop washbasins	3075 3076 3077 3080 3081 3082 3083 3084 3085 3086	 Wall distance $x + 210 - 290$ mm from basin's outer edge	 Centre of tap hole $x + 210 - 290$ mm from basin's outer edge	 139 - 219 mm from centre of tap hole			
	Wall-hung washbasins	3079 3089 3090 3091	 210 - 290 mm from basin's outer edge	/	 139 - 219 mm from centre of tap hole		
		Undercounter washbasins	3078 3087 3088	 Wall distance $x + 20$ mm + 94 - 174 mm	 Centre of tap hole $x + 20$ mm + 94 - 174 mm	/	
			Wall-hung hand washbasins	3073	/	/	 153 - 253 mm from centre of tap hole
				Countertop hand washbasins	3074	/	 Centre of tap hole $x + 220 - 320$ mm from basin's outer edge

 No tap fitting possible in this area

MIENA



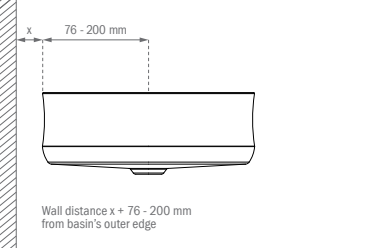
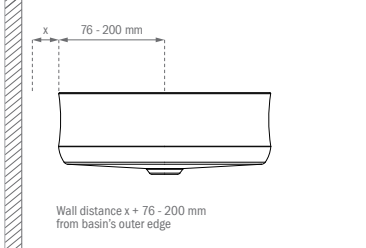
FITTING REFERENCES FOR MIENA WASHBASINS

		WITHOUT TAP HOLE		WITH TAP HOLE
Type of Installation	Model	Spout length of wall-mounted tap	Spout length of deck-mounted tap	Spout length of deck-mounted tap
Countertop washbasins	3181	 <p>Wall distance $x + 72 - 190$ mm from basin's outer edge</p>	 <p>Centre of tap hole $x + 72 - 190$ mm from basin's outer edge</p>	/
Countertop washbasins	3180	 <p>Wall distance $x + 85 - 225$ mm from basin's outer edge</p>	 <p>Centre of tap hole $x + 85 - 225$ mm from basin's outer edge</p>	/
Countertop washbasins	3184	 <p>Wall distance $x + 76 - 200$ mm from basin's outer edge</p>	 <p>Wall distance $x + 76 - 200$ mm from basin's outer edge</p>	/
Countertop washbasins	3185	 <p>Wall distance $x + 72 - 190$ mm from basin's outer edge</p>	 <p>Wall distance $x + 72 - 190$ mm from basin's outer edge</p>	/

MING



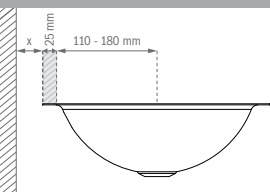
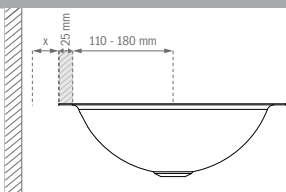
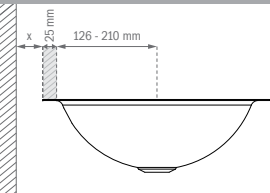
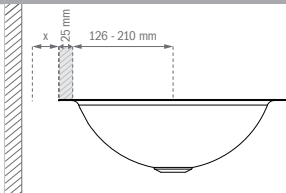
FITTING REFERENCES FOR MING WASHBASINS

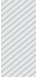
		WITHOUT TAP HOLE		WITH TAP HOLE
Type of Installation	Model	Spout length of wall-mounted tap	Spout length of deck-mounted tap	Spout length of deck-mounted tap
Countertop washbasins	3186	 <p>Wall distance $x + 76 - 200$ mm from basin's outer edge</p>	 <p>Wall distance $x + 76 - 200$ mm from basin's outer edge</p>	/

CLASSIC



FITTING REFERENCES FOR CLASSIC WASHBASINS

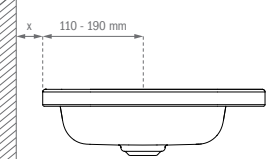
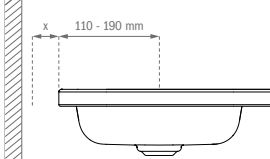
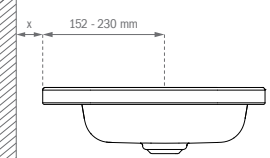
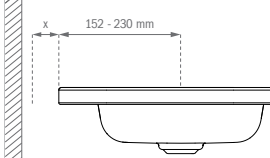
		WITHOUT TAP HOLE		WITH TAP HOLE
Type of Installation	Model	Spout length of wall-mounted tap	Spout length of deck-mounted tap	Spout length of deck-mounted tap
Undercounter washbasins	3183	 <p>Wall distance $x + 25 \text{ mm} + 110 - 180 \text{ mm}$</p>	 <p>Centre of tap hole $x + 25 \text{ mm} + 110 - 180 \text{ mm}$</p>	/
Undercounter washbasins	3182	 <p>Wall distance $x + 25 \text{ mm} + 126 - 210 \text{ mm}$</p>	 <p>Centre of tap hole $x + 25 \text{ mm} + 126 - 210 \text{ mm}$</p>	/

 No tap fitting possible in this area

EMERSO



FITTING REFERENCES FOR EMERSO BUILT-IN WASHBASINS

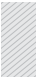
		WITHOUT TAP HOLE		WITH TAP HOLE
Type of installation	Model	Spout length of wall-mounted tap	Spout length of deck-mounted tap	Spout length of deck-mounted tap
Built-in washbasin	3021/ 3022 version A	 <p>Wall distance $x + 110 - 190$ mm from basin's outer edge</p>	 <p>Centre of tap hole $x + 110 - 190$ mm from basin's outer edge</p>	/
Built-in washbasin	3021/ 3022 version B	 <p>Wall distance $x + 152 - 230$ mm from basin's outer edge</p>	 <p>Centre of tap hole $x + 152 - 230$ mm from basin's outer edge</p>	/

PURO



FITTING REFERENCES FOR PURO WASHBASINS

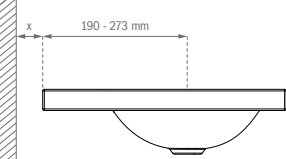
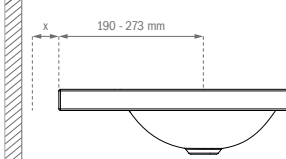
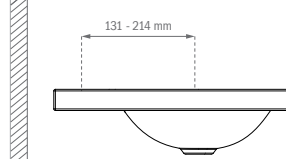
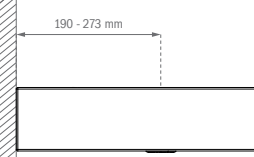
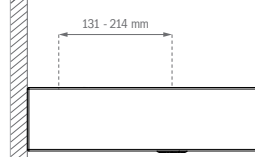
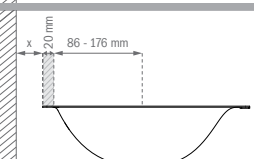
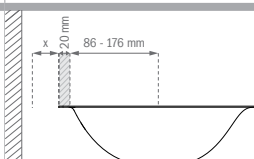
		WITHOUT TAP HOLE		WITH TAP HOLE
Type of Installation	Model	Spout length of wall-mounted tap	Spout length of deck-mounted tap	Spout length of deck-mounted tap
Built-in and countertop washbasins	3150	<p>190 - 267 mm</p> <p>Wall distance $x + 190 - 267$ mm from basin's outer edge</p>	<p>190 - 267 mm</p> <p>Centre of tap hole $x + 190 - 267$ mm from basin's outer edge</p>	<p>145 - 222 mm</p> <p>145 - 222 mm from centre of tap hole</p>
	3151			
	3152			
	3153			
	3154			
	3155			
	3156			
	3157			
	3158			
	3167			
	3168			
3169				
3171				
Wall-hung washbasins	3163	<p>190 - 267 mm</p> <p>190 - 267 mm from basin's outer edge</p>	/	<p>145 - 222 mm</p> <p>145 - 222 mm from centre of tap hole</p>
	3164			
	3165			
	3167			
	3170			
Undercounter washbasins and PURO S models	3159	<p>100 - 177 mm</p> <p>Wall distance $x + 15$ mm + 100 - 177 mm</p>	<p>100 - 177 mm</p> <p>Centre of tap hole $x + 15$ mm + 100 - 177 mm</p>	/
	3160			
	3161			
	3173			
	3174			
	3175			
	3176			
Wall-hung hand washbasins	3162	/	/	<p>169 - 262 mm</p> <p>169 - 262 mm from centre of tap hole</p>
Countertop hand washbasins	3166	/	<p>220 - 313 mm</p> <p>Centre of tap hole $x + 220 - 313$ mm from basin's outer edge</p>	<p>169 - 262 mm</p> <p>169 - 262 mm from centre of tap hole</p>


 No tap fitting possible in this area

SILENIO



FITTING REFERENCES FOR SILENIO WASHBASINS

Type of Installation	Model	WITHOUT TAP HOLE		WITH TAP HOLE
		Spout length of wall-mounted tap	Spout length of deck-mounted tap	Spout length of deck-mounted tap
Built-in and countertop washbasins	3037	 <p>190 - 273 mm</p> <p>Wall distance $x + 190 - 273$ mm from basin's outer edge</p>	 <p>190 - 273 mm</p> <p>Centre of tap hole $x + 190 - 273$ mm from basin's outer edge</p>	 <p>131 - 214 mm</p> <p>131 - 214 mm from centre of tap hole</p>
	3038			
	3039			
	3040			
	3041			
3042				
3043				
3049				
Wall-hung washbasins	3044	 <p>190 - 273 mm</p> <p>190 - 273 mm from basin's outer edge</p>	/	 <p>131 - 214 mm</p> <p>131 - 214 mm from centre of tap hole</p>
	3045			
	3046			
Undercounter washbasins	3047	 <p>86 - 176 mm</p> <p>Wall distance $x + 20$ mm + 86 - 176 mm</p>	 <p>86 - 176 mm</p> <p>Centre of tap hole $x + 20$ mm + 86 - 176 mm</p>	/
	3048			

 No tap fitting possible in this area

KALDEWEI

Franz Kaldewei GmbH & Co. KG
Beckumer Straße 33-35
59229 Ahlen
Germany
Tel. +49 2382 785 777
Fax +49 2382 785 200
Internet: www.kaldewei.com