

DORN
BRACHT

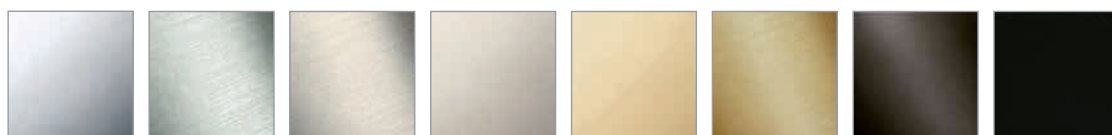
Dornbracht specification book 2022 / Kitchen EXPORT

gross prices –
does not include statutory VAT

Valid from 01.04.2022



Finishes



	chrome	matt chrome	platinum matt	platinum	Durabrass 23 C Gold	brushed Durabrass 23 C Gold	Dark Platinum matt	matt black
Colour Code	-00	-93	-06	-08	-09	-28	-99	-33
Manufacturing process	Electroplating						PVD technique	Powder and wet paint coating
Multiplier (Base: chrom 00) for O	-	x 1,4	x 1,8	x 1,8	x2	x 2	x 1,8	x 1,55
Elio	●	●	●	●	△	●	●	△
eno	●	●	●	●	△	●	●	△
Lot	●	○ △	●	●	△	●	●	△
Meta.02	●	○ △	●	●	△	●	●	●
Sync	●	●	●	●	●	●	●	△
Tara.*	●	●	●	●	●	●	●	●
Tara Ultra*	●	●	●	●	●	●	●	●
Miscellaneous*	●	●	●	●	●	●	●	●

Errors and omissions excepted.
All previous overviews shall become ineffective with the publication of this overview.

- standard
- △ Feasibility check and price in the x-tra Service
- △ Some items are available as variants, the rest after checking with the x-tra Service
- * Exception: Profi fittings and sprays

Further finishes
and individual
solutions are available
through our
x-TRA SERVICE.
See back cover.

Need a more individual solution? We provide unlimited choices on request.
Special designs, made-to-measure, logo and signage, and custom finishes just
to name a few. Our x-TRA SERVICE team is here to make your vision into a reality.

specification book 2022 / Kitchen

gross prices – does not include statutory VAT

5 YEARS
WARRANTY

For detailed warranty terms and conditions, see dombracht.com/warranty

gross prices – does not include statutory VAT.

Models, programmes and technical modifications as well as errors are excepted.

List of contents

Index	VI - VII
<hr/>	
Modifications 2022	VIII
<hr/>	
Finishes	IX
<hr/>	
Kitchen fittings – Designs	X
<hr/>	
Kitchen fittings – Functions	XI
<hr/>	
Kitchen sinks	XII
<hr/>	
Accessories, miscellaneous sink / installation items	089 - 098
<hr/>	
Concealed body	099 - 104
<hr/>	
General information	105 - 109

Designs



Elio

001 - 008



eno

009 - 012



Lot

013 - 018



Meta.02

019 - 028



Sync

029 - 032



Tara.

033 - 042



Tara Ultra

043 - 052

Functions



Single-lever mixer –
extending spout
053 - 058



Single-lever mixer –
Profi fitting
059 - 062



Water Dispenser /
Bar Tap
063 - 072



Pivoting spout /
wall-mounted fitting
073 - 074



Rinsing sprays
075 - 078

Kitchen sinks



Polished stainless steel
Kitchen sinks
079 - 084



Glazed steel
Kitchen sinks
085 - 088

Index

Art. No.	Euro	Page	Art. No.	Euro	Page	Art. No.	Euro	Page
10			17 861 790-00	861.70	008, 064	27 789 970-00	1,072.80	005, 007, 022,
10 400 003-85	116.70	094	-06	1,378.60	008, 064			024, 026, 037,
10 405 003-85	200.00	094	-08	1,378.60	008, 064	-06	1,716.40	040, 048, 077
10 410 003-85	242.90	094	-28	1,706.20	008, 064			005, 007, 022,
10 415 003-85	116.70	094	-93	1,034.00	008, 064			024, 026, 037,
10 710 970-00	155.60	092	-99	1,292.50	008, 064	-08	1,716.40	040, 048, 077
-06	248.90	092	17 861 875-00	739.60	049, 070			005, 007, 022,
-08	248.90	092	-06	1,183.40	049, 070	-93	1,287.30	024, 026, 037,
-09	308.10	092	-08	1,183.40	049, 070			040, 048, 077
-28	308.00	092	-09	1,464.40	049, 070			005, 007, 037,
-33	210.10	092	-28	1,464.50	049, 070			040, 048, 077
-93	186.70	092	-33	998.40	049, 070			
-99	233.30	092	-93	887.50	049, 070			
10 711 970-00	155.60	092	-99	1,109.40	049, 070	29		
-06	248.90	092	17 861 888-00	861.70	042, 068	29 020 970 90	79.70	102
-08	248.90	092	-06	1,378.60	042, 068	29 021 970 90	79.70	103
-09	308.10	092	-08	1,378.60	042, 068	29 022 970 90	91.70	103
-28	308.00	092	-09	1,706.20	042, 068			
-33	210.10	092	-28	1,706.20	042, 068	30		
-93	186.70	092	-33	1,163.30	042, 068	30 805 875-00	832.40	050, 074
-99	233.30	092	-93	1,034.00	042, 068	-06	1,331.90	050, 074
10 712 970-00	155.60	093	-99	1,292.50	042, 068	-08	1,331.90	050, 074
-06	248.90	093				-09	1,648.10	050, 074
-08	248.90	093	20			-28	1,648.10	050, 074
-09	308.10	093	20 815 892-00	920.70	038, 039, 040	-93	998.80	050, 074
-28	308.00	093	-06	1,473.20	038, 039, 040	-99	1,244.20	050, 074
-33	210.10	093	-08	1,473.20	038, 039, 040			
-93	186.70	093	-09	1,823.00	038, 039	31		
-99	233.30	093	-28	1,823.10	038, 039	31 151 892-00	888.60	040
10 713 970-00	109.50	093	-33	1,242.90	038, 039	-06	1,421.70	040
-06	175.20	093	-93	1,104.90	038, 039, 040	-08	1,421.70	040
-08	175.20	093	-99	1,381.10	038, 039	-09	1,759.40	040
-09	216.80	093				-28	1,759.30	040
-28	216.90	093	22			-93	1,066.30	040
-33	147.80	093	22 815 892-00	490.70	037	-99	1,332.90	040
-93	131.40	093	-06	785.10	037			
-99	164.30	093	-08	785.10	037	32		
10 714 970-00	109.50	093	-09	971.60	037	32 800 625-00	711.80	022, 023, 024
-06	175.20	093	-28	971.60	037	-06	1,138.70	022, 023, 024
-08	175.20	093	-33	662.50	037	-08	1,138.70	022, 023, 024
-09	216.80	093	-93	588.90	037	-28	1,409.20	022, 023
-28	216.90	093	-99	736.10	037	-33	960.80	022, 023
-93	131.40	093				-99	1,067.70	022, 023
-99	164.30	093	27			32 800 680-00	1,432.30	014, 015
			27 721 970-00	439.50	004, 006, 021,	-06	2,291.70	014, 015
					023, 025, 036,	-08	2,291.70	014, 015
					039, 047, 076	-28	2,836.00	014
						-99	2,148.60	014
			-06	703.20	004, 006, 021,	32 800 790-00	739.00	005, 006, 007
					023, 025, 036,	-06	1,182.40	005, 006, 007
			-08	703.20	039, 047, 076	-08	1,182.40	005, 006, 007
					004, 006, 021,	-28	1,463.10	005, 006
			-09	870.20	023, 025, 036,	-93	886.80	005, 006, 007
					039, 047, 076	-99	1,108.50	005, 006
			-28	870.20	036, 039, 047,	32 805 680-00	1,120.40	017, 065
					076	-06	1,792.80	017, 065
			-93	527.40	004, 006, 021,	-08	1,792.80	017, 065
					023, 025, 036,	-28	2,218.40	017, 065
			-99	659.30	039, 047, 076	-99	1,680.70	017, 065
					021, 023, 025,	32 815 625-00	789.80	024, 025, 026
					036, 039, 047,	-06	1,263.70	024, 025, 026
					076	-08	1,263.70	024, 025, 026
					004, 006, 036,	-28	1,563.90	024, 025
					039, 047, 076	-33	1,066.20	024, 025
					004, 006, 021,	-99	1,184.70	024, 025
					023, 025, 036,	32 843 680-00	1,432.30	015, 016
					039, 047, 076	-06	2,291.70	015, 016
			27 722 970-00	476.60	014, 016, 076	-08	2,291.70	015, 016
			-06	762.50	014, 016, 076	-28	2,836.00	015, 016
			-08	762.50	014, 016, 076	-99	2,148.60	015, 016
			-09	943.60	076			
			-28	943.70	014, 016, 076	33		
			-93	571.90	076	33 800 760-00	470.20	012
			-99	714.80	014, 016, 076	-06	752.30	012
			27 784 970-00	1,136.40	015, 016, 077	-08	752.30	012
			-06	1,818.40	015, 016, 077	-28	931.00	012
			-08	1,818.40	015, 016, 077	-93	564.20	012
			-93	1,363.70	077	-99	705.40	012

Art. No.	Euro	Page	Art. No.	Euro	Page	Art. No.	Euro	Page
33 800 790-00	635.50	002	33 840 760-00	533.40	010, 057	35		
-06	1,016.70	002	-06	853.40	010, 057	35 087 970 90	117.20	100
-08	1,016.70	002	-08	853.40	010, 057	35 700 970 90	155.60	101
-28	1,258.20	002	-28	1,056.10	010, 057	35 720 970 90	124.10	102
-93	762.60	002	-93	640.10	010, 057	35 816 970 90	310.30	101
-99	953.30	002	-99	800.10	010, 057	35 860 970 90	180.80	100
33 800 875-00	573.30	045	33 840 790-00	671.70	002, 056			
-06	917.40	045	-06	1,074.80	002, 056	36		
-08	917.40	045	-08	1,074.80	002, 056	36 819 892-00	1,146.40	041
-09	1,135.20	045	-28	1,330.10	002, 056	-06	1,834.20	041
-28	1,135.20	045	-93	806.10	002, 056	-08	1,834.20	041
-33	774.00	045	-99	1,007.70	002, 056	-09	2,269.90	041
-93	688.00	045	33 845 760-00	592.40	010, 056	-28	2,269.90	041
-99	860.00	045	-06	947.70	010, 056	-93	1,375.60	041
33 800 888-00	698.70	034	-08	947.70	010, 056	-99	1,562.80	041
-06	1,118.00	034	-28	1,172.80	010, 056			
-08	1,118.00	034	-93	710.90	010, 056	38		
-09	1,383.50	034	-99	888.60	010, 056	38 180 003-85	628.70	080
-28	1,383.60	034	33 845 875-00	1,111.00	051, 074	38 340 003-85	675.30	080
-33	943.30	034	-06	1,777.50	051, 074	38 400 002-62	907.40	086
-93	838.50	034	-08	1,777.50	051, 074	-71	907.40	086
-99	1,048.20	034	-09	2,199.80	051, 074	38 400 003-85	730.10	081
33 805 875-00	558.00	050, 069	-28	2,199.60	051, 074	38 450 002-62	1,009.40	086
-06	892.80	050, 069	-93	1,333.20	051, 074	-71	1,009.40	086
-08	892.80	050, 069	-99	1,666.50	051, 074	38 450 003-85	758.60	081
-09	1,104.90	050, 069	33 860 875-00	1,221.80	044, 060	38 500 002-62	1,111.50	087
-28	1,105.00	050, 069	-06	1,954.90	044, 060	-71	1,111.50	087
-33	753.30	050, 069	-08	1,954.90	044, 060	38 500 003-85	778.80	082
-93	669.60	050, 069	-93	1,466.10	044, 060	38 501 003-85	984.90	082
-99	837.00	050, 069	33 865 895-00	1,015.30	031, 060	38 550 002-62	1,191.00	087
33 810 625-00	639.20	020	-06	1,624.40	031, 060	-71	1,191.00	087
-06	1,022.80	020	-08	1,624.40	031, 060	38 550 003-85	794.40	083
-08	1,022.80	020	-09	2,010.20	031, 060	38 551 003-85	1,002.80	083
-28	1,265.70	020	-28	2,010.20	031, 060	38 650 003-85	865.80	083
-33	863.00	020	-93	1,218.30	031, 060			
-99	958.90	020	-99	1,522.70	031, 060	39		
33 815 888-00	698.70	035	33 870 760-00	568.50	011, 058	39 708 970 90	664.00	102
-06	1,118.00	035	-06	909.60	011, 058	39 807 970 90	493.40	102
-08	1,118.00	035	-08	909.60	011, 058			
-09	1,383.50	035	-28	1,125.50	011, 058	82		
-28	1,383.60	035	-93	682.20	011, 058	82 424 970-00	220.70	090
-33	943.30	035	-99	852.80	011, 058	-06	353.10	090
-93	838.50	035	33 870 790-00	706.70	003, 055	-08	353.10	090
-99	1,048.20	035	-06	1,130.60	003, 055	-09	436.90	090
33 816 875-00	588.40	046	-08	1,130.60	003, 055	-28	436.90	090
-06	941.30	046	-28	1,399.30	003, 055	-33	297.90	090
-08	941.30	046	-93	848.00	003, 055	-93	264.90	090
-09	1,165.00	046	-99	1,060.00	003, 055	-99	397.20	090
-28	1,165.00	046	33 870 875-00	706.70	044, 055	82 434 970-00	240.50	090
-33	794.40	046	-06	1,130.60	044, 055	-06	384.70	090
-93	706.00	046	-08	1,130.60	044, 055	-08	384.70	090
-99	882.60	046	-09	1,399.30	044, 055	-09	476.20	090
33 820 625-00	639.20	021, 022	-28	1,399.30	044, 055	-28	476.10	090
-06	1,022.80	021, 022	-33	954.10	044, 055	-33	318.30	090
-08	1,022.80	021, 022	-93	848.00	044, 055	-93	288.60	090
-28	1,265.70	021	-99	1,059.80	044, 055	-99	432.80	090
-33	863.00	021	33 870 895-00	780.90	030, 054	82 439 970-00	275.00	091
-99	958.90	021	-06	1,249.30	030, 054	-06	431.30	091
33 826 790-00	635.50	004, 005	-08	1,249.30	030, 054	-08	431.30	091
-06	1,016.70	004, 005	-09	1,546.20	030, 054	-09	544.50	091
-08	1,016.70	004, 005	-28	1,546.00	030, 054	-28	544.60	091
-28	1,258.20	004	-93	937.10	030, 054	-93	330.00	091
-93	762.60	004, 005	-99	1,171.40	030, 054	-99	495.10	091
-99	953.30	004	33 875 760-00	627.20	011, 057			
33 826 875-00	603.80	047, 048	-06	1,003.60	011, 057	84		
-06	966.10	047, 048	-08	1,003.60	011, 057	84 700 000-13	262.90	091
-08	966.10	047, 048	-28	1,242.00	011, 057	-48	395.50	091
-09	1,195.60	047	-93	752.70	011, 057	84 700 001-10	123.40	091
-28	1,195.50	047	-99	940.90	011, 057	-81	123.40	092
-33	815.20	047	33 875 895-00	780.90	030, 054	84 711 001-86	101.30	095
-93	724.60	047, 048	-06	1,249.30	030, 054	84 800 001-85	85.20	095
-99	905.80	047	-08	1,249.30	030, 054	84 801 001-85	85.20	095
33 826 888-00	685.90	036, 037	-09	1,546.20	030, 054			
-06	1,097.40	036, 037	-28	1,546.00	030, 054	90		
-08	1,097.40	036, 037	-93	937.10	030, 054	90 23 01 026 03-00	32.70	050, 074
-09	1,358.10	036	-99	1,171.40	030, 054	-06	50.20	050, 074
-28	1,358.20	036	33 880 888-00	1,450.00	041, 061	-08	50.20	050, 074
-33	926.00	036	-06	2,320.10	041, 061	-28	86.00	050, 074
-93	823.10	036, 037	-08	2,320.10	041, 061	-99	64.50	050, 074
-99	1,029.00	036	-93	1,739.90	041, 061			

Modifications 2022

Supplements

Surface finish additions

The chrome matt (stainless steel look), Durabrass and matt black finishes have been added to the kitchen assortment for selected series (see surface finish matrix).

Strainer wastes

Strainer wastes will also be available in matt black from the third quarter of 2022.

Programme modifications

The following items are repositioned in the course of modifying the product range:

Concealed wall-mounted mixers	New		replaces	
	article number	Name	article number	Name
	35 700 970 90	Concealed wall-mounted mixer Centred spout	35 707 970 90	Concealed wall-mounted mixer Centred spout
	35 720 970 90	Concealed wall-mounted mixer variable positioning	35 713 970 90 / 35 714 970 90 / 35 712 970 90	Concealed wall-mounted mixer spout on left / spout on right / variable positioning

Discontinuations

The following products will be discontinued from the product programme on 30.09.2022:

Wall-mounted fittings

Wall-mounted fittings in the LOT (36 860 680-FF), META 02 (36 880 625-FF, 36 881 625-FF, 36 882 625-FF) and TARA (36 818 892-FF) series are withdrawn from the product range.

Individual products

TARA three-hole mixer (20 815 882-FF), TARA CLASSIC Profi fitting with lever on the left (33 880 889-FF) and TARA ULTRA single-lever mixer (33 818 875-FF) are withdrawn from the product range.

Drinking Plate

Item 84 710 000 -13 is withdrawn from the product range.

Kitchen sinks in glazed steel

Sand matt (-72), high-gloss white (-73), high-gloss black (-76) and high-gloss sand (-78) are no longer available as colours for kitchen sinks in glazed steel.

Brushed stainless steel kitchen sinks

Kitchen sinks in brushed stainless steel are withdrawn from the product range.

Cutting boards

Cutting boards 84 750 000-FF and 84 751 000-FF are withdrawn from the product range.

Pop-up waste set

Item 04 31 20 067 00-86 is withdrawn from the product range.

Detailed product information, appropriate files, dimensioned drawings and 3D objects can be found online at www.dornbracht.com.

Also go to www.dornbracht.com/care for information on cleaning, caring for and maintaining your product.

Finishes

Descriptions of the finishes

Dornbracht products are designed to retain their special aesthetic quality and reliability over many years. This is why we attach great importance to maintaining a high standard of quality throughout the production process. This starts with selecting the right raw materials. Then the pieces are formed and polished. After numerous further stages and strict quality controls, the fittings are given their exquisite finishes in the electroplating shop. They then undergo a further check and are carefully packed, so that our exclusive, hand-made products can be safely transported.

The finishes listed below are available as a **standard finish for the entire kitchen assortment**.

Finish	Description	Production
Chrome -00	A timeless, classic, high-gloss finish that is cool in character.	<ol style="list-style-type: none">1. Basic material: brass / ABS (plastic) / die-cast zinc2. Surface work: rough grinding and regrinding, polishing, superfine polishing3. Preparatory treatment: cleaning4. First plated coating: shiny nickel5. Second plated coating: chrome
Chrome matt -93	Cool in tone, the colour has a matt finish with a stainless steel look.	<ol style="list-style-type: none">1. Basic material: brass / ABS (plastic) / die-cast zinc2. Surface work: rough grinding and regrinding, polishing, matt finishing3. Preparatory treatment: cleaning4. First plated coating: matt nickel5. Second plated coating: chrome
Platinum matt -06	A warm tone, with an elegant, matt finish	<ol style="list-style-type: none">1. Basic material: brass / ABS (plastic) / die-cast zinc2. Surface work: rough grinding and regrinding, polishing, superfine polishing3. Surface work: matt finishing4. Preparatory treatment: cleaning5. First plated coating: matt nickel6. Second plated coating: palladium nickel
Platinum -08	A timeless, classic high-gloss or matt finish with a warm undertone.	<ol style="list-style-type: none">1. Basic material: brass / ABS (plastic) / die-cast zinc2. Surface work: rough grinding and regrinding, polishing, superfine polishing3. Preparatory treatment: cleaning4. First plated coating: shiny nickel5. Second plated coating: palladium nickel
Durabrass -09	An exceptionally radiant finish with a warm, high-gloss, golden hue.	<ol style="list-style-type: none">1. Basic material: brass / ABS (plastic) / die-cast zinc2. Surface work: rough grinding and regrinding, polishing, superfine polishing3. Preparatory treatment: cleaning, ultrasonic cleaning4. First plated coating: shiny nickel5. Second plated coating: palladium nickel, only when the basic material is ABS/die-cast zinc; no palladium nickel coating when the basic material is brass6. Third plated coating: gold
brushed Durabrass -28	A warm, modern, golden colour in a matt finish.	<ol style="list-style-type: none">1. Basic material: brass / ABS (plastic) / die-cast zinc2. Surface work: rough grinding and regrinding, polishing, superfine polishing3. Surface work: matt finishing4. Preparatory treatment: cleaning5. First plated coating: matt nickel6. Second plated coating: palladium nickel (only when the basic material is ABS/die-cast zinc)7. Third plated coating: gold
Dark Platinum matt -99	A finely brushed, dark, silk matt colour that radiates warmth and originality	<ol style="list-style-type: none">1. Base material (brass)2. Surface work: rough grinding and regrinding, polishing, matt finishing3. Preparatory treatment: cleaning, ultrasonic cleaning4. First plated coating: matt nickel5. Second plated coating: polished chrome6. Sealing PVD coat
Matt black -33	An elegant matt finish with a subtle, neutral tone.	<ol style="list-style-type: none">1. Basic material: brass / ABS (plastic) / die-cast zinc2. Surface work: rough grinding and regrinding, polishing, matt finishing3. Sealing Powder coating or wet paint coating

Additional finishes can be implemented on request, once the possibilities of production have been investigated in the x-tra Service. Please ask your Dornbracht contact for more information.



Dornbracht fittings are the sculptural heart of every kitchen. They epitomise perfect workmanship and quality "made in Germany", as well as top-class, stunning design with personality. Their aesthetic quality is based on the universal design principles that characterise the entire Dornbracht product portfolio. With Dornbracht, you can always be sure that your chosen kitchen furnishing will be as enduring as it is timeless. The variety of the different design series ensures that you have a broad spectrum of creative options at your disposal.



Dornbracht applies know-how from the professional kitchen to the private domain. The result is fittings that provide specific and efficient support for the different processes in the kitchen. Functions range from pull-down and pull-out fittings, to a pivoting 360° fitting for the cooking island, to rinsing and Profi sprays, to water dispensers for filtered drinking water at the touch of a button.

Which functions are available for which series can be found in the following table:

	extending spout	Profi fitting	Pivoting spout / wall-mounted fitting	Rinsing sprays	Bar Tap	Water Dispenser
Elio	●			●	●	●
eno	●					
Lot				●	●	●
Meta.02				●	●	●
Sync	●	●				
Tara.		●		●	●	●
Tara Ultra	●	●	●	●	●	●

● standard



An elegant shine, precise edges and exact radii: the high-quality workmanship of Dornbracht's Kitchen sinks is reflected in their perfection and love of detail. Be inspired to be creative by a wealth of different versions and colour variants – from stainless steel sinks to glazed steel Kitchen sinks. Dornbracht's Kitchen sinks fit into any style collection and round off the water point in the kitchen.

The overview below outlines which sinks are suitable for certain base unit dimensions:

Product range by base unit dimensions		Under-mounted								Installed, on top or flush					
		350 mm	400 mm	450 mm	500 mm	550 mm	600 mm	650 mm	800 mm	350 mm	400 mm	450 mm	500 mm	550 mm	600 mm
Polished stainless steel		●	●	●	●	●	●		●					●	●
	Glazed steel														
	matt black				●	●	●	●							
	matt white				●	●	●	●							

● standard

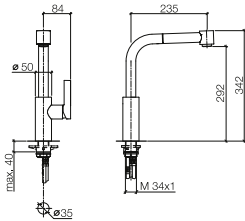
Elio

Sieger Design



Detailed product information, appropriate files, dimensioned drawings and 3D objects can be found online at www.dornbracht.com.

33 870 790



Single-lever mixer Pull-out with spray function

- 235 mm projection
- pivotable spout 360°
- air-enriched flow and spray flow
- fabric braided hose 1500 mm
- max. flow 8 l/min at 3 bar flow pressure
- lead-free

Intrinsic protection against back flow.

		Euro
polished chrome	33 870 790-00	706.70
chrome matt	33 870 790-93	848.00
platinum matt	33 870 790-06	1,130.60
platinum	33 870 790-08	1,130.60
brushed Durabrass	33 870 790-28	1,399.30
Dark Platinum matt	33 870 790-99	1,060.00



Recommended miscellaneous

Dispenser without rosette

For details and miscellaneous, see page 090

		Euro
polished chrome	82 424 970-00	220.70
chrome matt	82 424 970-93	264.90
platinum matt	82 424 970-06	353.10
platinum	82 424 970-08	353.10
brushed Durabrass	82 424 970-28	436.90
Dark Platinum matt	82 424 970-99	397.20



Recommended miscellaneous

Strainer waste with control handle

For details and miscellaneous, see page 093

		Euro
polished chrome	10 712 970-00	155.60
chrome matt	10 712 970-93	186.70
platinum matt	10 712 970-06	248.90
platinum	10 712 970-08	248.90
brushed Durabrass	10 712 970-28	308.00
Dark Platinum matt	10 712 970-99	233.30

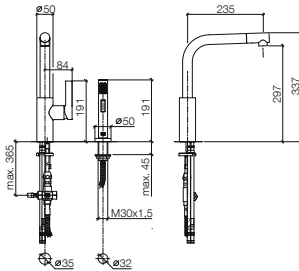
33 826 790 + 27 721 970



Single-lever mixer with rinsing spray set

- 234 mm projection
- pivotable spout 360°
- spout, end-piece with 20° rotation
- air-enriched flow and spray flow
- automatic spout/shower diverter
- fabric braided hose 1500 mm
- sprayface with anti-scaling system
- max. flow 8 l/min at 3 bar flow pressure
- lead-free

Intrinsic protection against back flow.



		Euro
polished chrome	1x 33 826 790-00	635.50
	1x 27 721 970-00	439.50
Total price:		1,075.00
chrome matt	1x 33 826 790-93	762.60
	1x 27 721 970-93	527.40
Total price:		1,290.00
platinum matt	1x 33 826 790-06	1,016.70
	1x 27 721 970-06	703.20
Total price:		1,719.90
platinum	1x 33 826 790-08	1,016.70
	1x 27 721 970-08	703.20
Total price:		1,719.90
brushed Durabrass	1x 33 826 790-28	1,258.20
	1x 27 721 970-28	870.20
Total price:		2,128.40
Dark Platinum matt	1x 33 826 790-99	953.30
	1x 27 721 970-99	659.30
Total price:		1,612.60



Recommended miscellaneous

Dispenser with rosette

For details and miscellaneous, see page 090

		Euro
polished chrome	82 434 970-00	240.50
chrome matt	82 434 970-93	288.60
platinum matt	82 434 970-06	384.70
platinum	82 434 970-08	384.70
brushed Durabrass	82 434 970-28	476.10
Dark Platinum matt	82 434 970-99	432.80



Recommended miscellaneous

Strainer waste with control handle

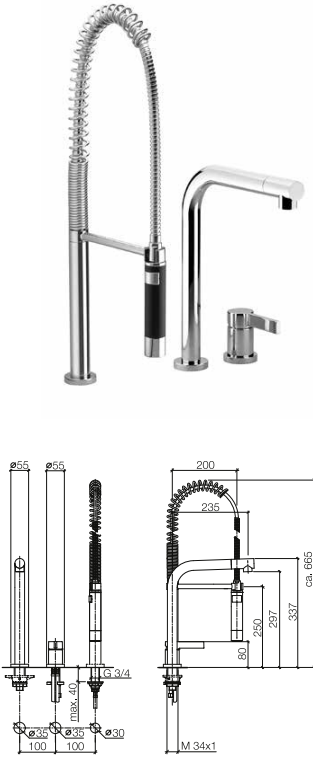
For details and miscellaneous, see page 092

		Euro
polished chrome	10 710 970-00	155.60
chrome matt	10 710 970-93	186.70
platinum matt	10 710 970-06	248.90
platinum	10 710 970-08	248.90
brushed Durabrass	10 710 970-28	308.00
Dark Platinum matt	10 710 970-99	233.30

Two-hole mixer with individual rosettes with profi spray set

- 235 mm projection
- pivotable spout 360°
- spout, end-piece with 20° rotation
- air-enriched flow and spray flow
- sprayface with anti-scaling system
- max. flow 8 l/min at 3 bar flow pressure
- automatic spout/shower diverter
- lead-free

Intrinsic protection against back flow.
Operating unit can be positioned freely.



		Euro
polished chrome	1x 32 800 790-00	739.00
	1x 27 789 970-00	1,072.80
Total price:		1,811.80
chrome matt	1x 32 800 790-93	886.80
	1x 27 789 970-93	1,287.30
Total price:		2,174.10
platinum matt	1x 32 800 790-06	1,182.40
	1x 27 789 970-06	1,716.40
Total price:		2,898.80
platinum	1x 32 800 790-08	1,182.40
	1x 27 789 970-08	1,716.40
Total price:		2,898.80



Recommended miscellaneous

Dispenser with rosette

For details and miscellaneous, see page 090

		Euro
polished chrome	82 434 970-00	240.50
chrome matt	82 434 970-93	288.60
platinum matt	82 434 970-06	384.70
platinum	82 434 970-08	384.70



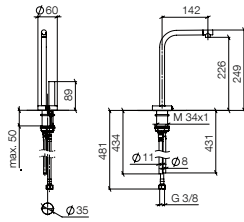
Recommended miscellaneous

Strainer waste with control handle

For details and miscellaneous, see page 092

		Euro
polished chrome	10 710 970-00	155.60
chrome matt	10 710 970-93	186.70
platinum matt	10 710 970-06	248.90
platinum	10 710 970-08	248.90

17 861 790



HOT & COLD WATER DISPENSER

- 142 mm projection
- rigid, thermally insulated spout
- laminar flow
- provides filtered, hot water up to 93°C
- provides filtered, cold water
- max. flow 2 l/min at 3 bar flow pressure
- ready-to-use control unit for wall mounting (135mm x 160mm x 60mm)
- electronic magnetic valve
- 100-230 V, 50-60 Hz, 18 W power supply unit, incl. country-specific adapter set
- lead-free

A minimum flow pressure of 3 bar is necessary for the HOT & COLD WATER DISPENSER to work perfectly in conjunction with a hot water tank and filter.

In addition, the installation must be above a kitchen sink.

The filter cartridge must be changed every six months. The installation instructions contain further information for guidance.

Detailed planning information and technical data can be found at www.dornbracht.com/professional

		Euro
polished chrome	17 861 790-00	861.70
chrome matt	17 861 790-93	1,034.00
platinum matt	17 861 790-06	1,378.60
platinum	17 861 790-08	1,378.60
brushed Durabronz	17 861 790-28	1,706.20
Dark Platinum matt	17 861 790-99	1,292.50

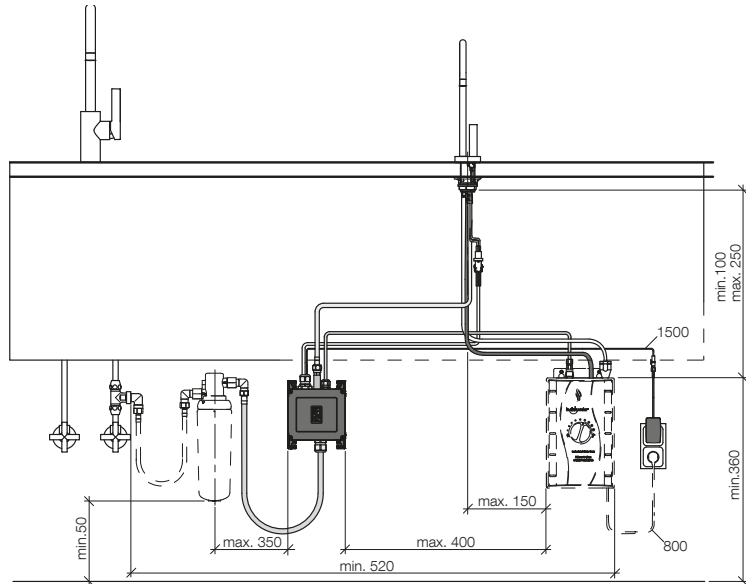


Required miscellaneous

Hot water tank incl. filter

	Euro
Hot water tank incl. filter	12 892 970 90 941.00

For details and miscellaneous, see page 071



eno

Sieger Design



Detailed product information, appropriate files, dimensioned drawings and 3D objects can be found online at www.dornbracht.com.

33 840 760

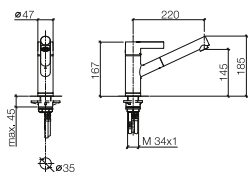


Single-lever mixer Pull-out

- 220 mm projection
- pivotable spout 130°
- air-enriched flow
- fabric braided hose 1500 mm
- max. flow 8 l/min at 3 bar flow pressure
- lead-free

Intrinsic protection against back flow.

		Euro
polished chrome	33 840 760-00	533.40
chrome matt	33 840 760-93	640.10
platinum matt	33 840 760-06	853.40
platinum	33 840 760-08	853.40
brushed Durabrass	33 840 760-28	1,056.10
Dark Platinum matt	33 840 760-99	800.10



Recommended miscellaneous

Dispenser without rosette

For details and miscellaneous, see page 090

		Euro
polished chrome	82 424 970-00	220.70
chrome matt	82 424 970-93	264.90
platinum matt	82 424 970-06	353.10
platinum	82 424 970-08	353.10
brushed Durabrass	82 424 970-28	436.90
Dark Platinum matt	82 424 970-99	397.20



Recommended miscellaneous

Strainer waste with control handle

For details and miscellaneous, see page 093

		Euro
polished chrome	10 712 970-00	155.60
chrome matt	10 712 970-93	186.70
platinum matt	10 712 970-06	248.90
platinum	10 712 970-08	248.90
brushed Durabrass	10 712 970-28	308.00
Dark Platinum matt	10 712 970-99	233.30

33 845 760

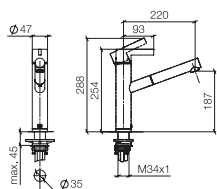


Single-lever mixer Pull-out

- 220 mm projection
- pivotable spout 130°
- air-enriched flow
- 1600mm metal shower hose
- max. flow 10 l/min at 3 bar flow pressure
- lead-free

Intrinsic protection against back flow.

		Euro
polished chrome	33 845 760-00	592.40
chrome matt	33 845 760-93	710.90
platinum matt	33 845 760-06	947.70
platinum	33 845 760-08	947.70
brushed Durabrass	33 845 760-28	1,172.80
Dark Platinum matt	33 845 760-99	888.60



Recommended miscellaneous

Dispenser without rosette

For details and miscellaneous, see page 090

		Euro
polished chrome	82 424 970-00	220.70
chrome matt	82 424 970-93	264.90
platinum matt	82 424 970-06	353.10
platinum	82 424 970-08	353.10
brushed Durabrass	82 424 970-28	436.90
Dark Platinum matt	82 424 970-99	397.20



Recommended miscellaneous

Strainer waste with control handle

For details and miscellaneous, see page 093

		Euro
polished chrome	10 712 970-00	155.60
chrome matt	10 712 970-93	186.70
platinum matt	10 712 970-06	248.90
platinum	10 712 970-08	248.90
brushed Durabrass	10 712 970-28	308.00
Dark Platinum matt	10 712 970-99	233.30

33 870 760

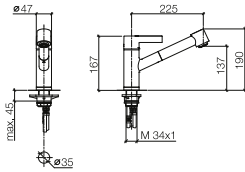


Single-lever mixer Pull-out with spray function

- 225 mm projection
- pivotable spout 130°
- air-enriched flow and spray flow
- fabric braided hose 1500 mm
- max. flow 8.3 l/min at 3 bar flow pressure
- lead-free

Intrinsic protection against back flow.

		Euro
polished chrome	33 870 760-00	568.50
chrome matt	33 870 760-93	682.20
platinum matt	33 870 760-06	909.60
platinum	33 870 760-08	909.60
brushed Durabrass	33 870 760-28	1,125.50
Dark Platinum matt	33 870 760-99	852.80



Recommended miscellaneous

Dispenser without rosette

For details and miscellaneous, see page 090

		Euro
polished chrome	82 424 970-00	220.70
chrome matt	82 424 970-93	264.90
platinum matt	82 424 970-06	353.10
platinum	82 424 970-08	353.10
brushed Durabrass	82 424 970-28	436.90
Dark Platinum matt	82 424 970-99	397.20



Recommended miscellaneous

Strainer waste with control handle

For details and miscellaneous, see page 093

		Euro
polished chrome	10 712 970-00	155.60
chrome matt	10 712 970-93	186.70
platinum matt	10 712 970-06	248.90
platinum	10 712 970-08	248.90
brushed Durabrass	10 712 970-28	308.00
Dark Platinum matt	10 712 970-99	233.30

33 875 760

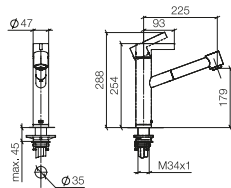


Single-lever mixer Pull-out with spray function

- 225 mm projection
- pivotable spout 130°
- air-enriched flow and spray flow
- 1600mm metal shower hose
- max. flow 9.6 l/min at 3 bar flow pressure
- lead-free

Intrinsic protection against back flow.

		Euro
polished chrome	33 875 760-00	627.20
chrome matt	33 875 760-93	752.70
platinum matt	33 875 760-06	1,003.60
platinum	33 875 760-08	1,003.60
brushed Durabrass	33 875 760-28	1,242.00
Dark Platinum matt	33 875 760-99	940.90



Recommended miscellaneous

Dispenser without rosette

For details and miscellaneous, see page 090

		Euro
polished chrome	82 424 970-00	220.70
chrome matt	82 424 970-93	264.90
platinum matt	82 424 970-06	353.10
platinum	82 424 970-08	353.10
brushed Durabrass	82 424 970-28	436.90
Dark Platinum matt	82 424 970-99	397.20



Recommended miscellaneous

Strainer waste with control handle

For details and miscellaneous, see page 093

		Euro
polished chrome	10 712 970-00	155.60
chrome matt	10 712 970-93	186.70
platinum matt	10 712 970-06	248.90
platinum	10 712 970-08	248.90
brushed Durabrass	10 712 970-28	308.00
Dark Platinum matt	10 712 970-99	233.30

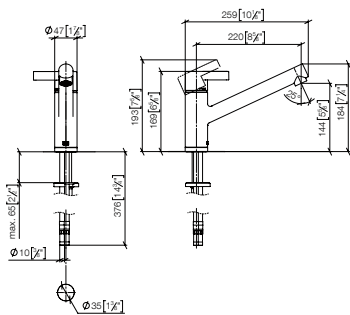
33 800 760



Single-lever mixer

- 220 mm projection
- pivotable spout 130°
- air-enriched flow
- max. flow 8 l/min at 3 bar flow pressure
- lead-free

		Euro
polished chrome	33 800 760-00	470.20
chrome matt	33 800 760-93	564.20
platinum matt	33 800 760-06	752.30
platinum	33 800 760-08	752.30
brushed Durabronz	33 800 760-28	931.00
Dark Platinum matt	33 800 760-99	705.40



Recommended miscellaneous

Dispenser without rosette

For details and miscellaneous, see page 090

		Euro
polished chrome	82 424 970-00	220.70
chrome matt	82 424 970-93	264.90
platinum matt	82 424 970-06	353.10
platinum	82 424 970-08	353.10
brushed Durabronz	82 424 970-28	436.90
Dark Platinum matt	82 424 970-99	397.20



Recommended miscellaneous

Strainer waste with control handle

For details and miscellaneous, see page 093

		Euro
polished chrome	10 712 970-00	155.60
chrome matt	10 712 970-93	186.70
platinum matt	10 712 970-06	248.90
platinum	10 712 970-08	248.90
brushed Durabronz	10 712 970-28	308.00
Dark Platinum matt	10 712 970-99	233.30

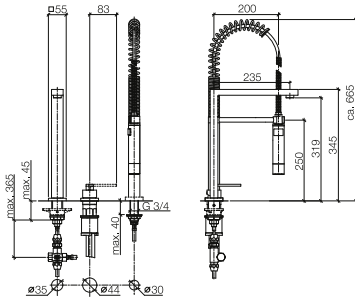
Lot

Sieger Design



Detailed product information, appropriate files, dimensioned drawings and 3D objects can be found online at www.dornbracht.com.

32 800 680 + 27 784 970



Two-hole mixer with individual rosettes with profi spray set

- 235 mm projection
- pivotable spout 360°
- air-enriched flow and spray flow
- automatic spout/shower diverter
- sprayface with anti-scaling system
- max. flow 8 l/min at 3 bar flow pressure
- lead-free

Intrinsic protection against back flow.
Operating unit can be positioned freely.

		Euro
polished chrome	1x 32 800 680-00	1,432.30
	1x 27 784 970-00	1,136.40
Total price:		2,568.70
platinum matt	1x 32 800 680-06	2,291.70
	1x 27 784 970-06	1,818.40
Total price:		4,110.10
platinum	1x 32 800 680-08	2,291.70
	1x 27 784 970-08	1,818.40
Total price:		4,110.10



Recommended miscellaneous

Dispenser with rosette

For details and miscellaneous, see page 091

		Euro
polished chrome	82 439 970-00	275.00
platinum matt	82 439 970-06	431.30
platinum	82 439 970-08	431.30



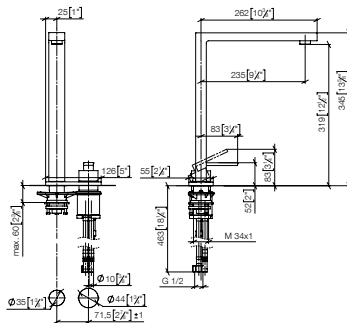
Recommended miscellaneous

Strainer waste with control handle

For details and miscellaneous, see page 092

		Euro
polished chrome	10 711 970-00	155.60
platinum matt	10 711 970-06	248.90
platinum	10 711 970-08	248.90

32 843 680



Two-hole mixer with cover plate

- 235 mm projection
- pivotable spout 360°
- air-enriched flow
- cover plate 126 x 55 mm
- gauge 71 mm
- max. flow 8 l/min at 3 bar flow pressure
- lead-free

		Euro
polished chrome	32 843 680-00	1,432.30
platinum matt	32 843 680-06	2,291.70
platinum	32 843 680-08	2,291.70
brushed Durabross	32 843 680-28	2,836.00
Dark Platinum matt	32 843 680-99	2,148.60



Recommended miscellaneous

Dispenser with rosette

For details and miscellaneous, see page 091

		Euro
polished chrome	82 439 970-00	275.00
platinum matt	82 439 970-06	431.30
platinum	82 439 970-08	431.30
brushed Durabross	82 439 970-28	544.60
Dark Platinum matt	82 439 970-99	495.10



Recommended miscellaneous

Strainer waste with control handle

For details and miscellaneous, see page 092

		Euro
polished chrome	10 711 970-00	155.60
platinum matt	10 711 970-06	248.90
platinum	10 711 970-08	248.90
brushed Durabross	10 711 970-28	308.00
Dark Platinum matt	10 711 970-99	233.30

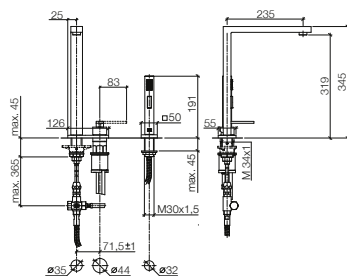
32 843 680 + 27 722 970



Two-hole mixer with cover plate with rinsing spray set

- 235 mm projection
- pivotable spout 360°
- air-enriched flow and spray flow
- cover plate 126 x 55 mm
- gauge 71 mm
- fabric braided hose 1500 mm
- automatic spout/shower diverter
- sprayface with anti-scaling system
- max. flow 8 l/min at 3 bar flow pressure
- lead-free

Intrinsic protection against back flow.



		Euro
polished chrome	1x 32 843 680-00	1,432.30
	1x 27 722 970-00	476.60
Total price:		1,908.90
platinum matt	1x 32 843 680-06	2,291.70
	1x 27 722 970-06	762.50
Total price:		3,054.20
platinum	1x 32 843 680-08	2,291.70
	1x 27 722 970-08	762.50
Total price:		3,054.20
brushed Durabrass	1x 32 843 680-28	2,836.00
	1x 27 722 970-28	943.70
Total price:		3,779.70
Dark Platinum matt	1x 32 843 680-99	2,148.60
	1x 27 722 970-99	714.80
Total price:		2,863.40



Recommended miscellaneous

Dispenser with rosette

For details and miscellaneous, see page 091

		Euro
polished chrome	82 439 970-00	275.00
	82 439 970-06	431.30
	82 439 970-08	431.30
	82 439 970-28	544.60
	82 439 970-99	495.10



Recommended miscellaneous

Strainer waste with control handle

For details and miscellaneous, see page 092

		Euro
polished chrome	10 711 970-00	155.60
	10 711 970-06	248.90
	10 711 970-08	248.90
	10 711 970-28	308.00
	10 711 970-99	233.30

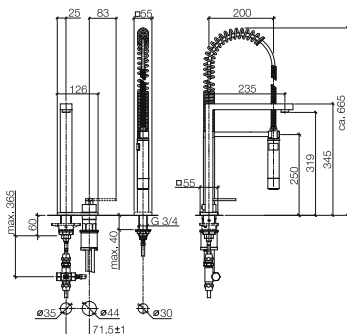
32 843 680 + 27 784 970



Two-hole mixer with cover plate with profi spray set

- 235 mm projection
- pivotable spout 360°
- air-enriched flow and spray flow
- cover plate 126 x 55 mm
- gauge 71 mm
- automatic spout/shower diverter
- sprayface with anti-scaling system
- max. flow 8 l/min at 3 bar flow pressure
- lead-free

Intrinsic protection against back flow.



		Euro
polished chrome	1x 32 843 680-00	1,432.30
	1x 27 784 970-00	1,136.40
Total price:		2,568.70
platinum matt	1x 32 843 680-06	2,291.70
	1x 27 784 970-06	1,818.40
Total price:		4,110.10
platinum	1x 27 784 970-08	1,818.40
	1x 32 843 680-08	2,291.70
Total price:		4,110.10



Recommended miscellaneous

Dispenser with rosette

For details and miscellaneous, see page 091

		Euro
polished chrome	82 439 970-00	275.00
	82 439 970-06	431.30
	82 439 970-08	431.30



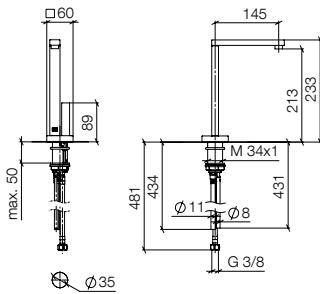
Recommended miscellaneous

Strainer waste with control handle

For details and miscellaneous, see page 092

		Euro
polished chrome	10 711 970-00	155.60
	10 711 970-06	248.90
	10 711 970-08	248.90

17 861 680



HOT & COLD WATER DISPENSER

- 145 mm projection
- rigid, thermally insulated spout
- laminar flow
- provides filtered, hot water up to 93°C
- provides filtered, cold water
- max. flow 2 l/min at 3 bar flow pressure
- ready-to-use control unit for wall mounting (135mm x 160mm x 60mm)
- electronic magnetic valve
- 100-230 V, 50-60 Hz, 18 W power supply unit, incl. country-specific adapter set
- lead-free

A minimum flow pressure of 3 bar is necessary for the HOT & COLD WATER DISPENSER to work perfectly in conjunction with a hot water tank and filter.

In addition, the installation must be above a kitchen sink.

The filter cartridge must be changed every six months. The installation instructions contain further information for guidance.

Detailed planning information and technical data can be found at www.dornbracht.com/professional

		Euro
polished chrome	17 861 680-00	1,202.40
platinum matt	17 861 680-06	1,923.80
platinum	17 861 680-08	1,923.80
brushed Durabronz	17 861 680-28	2,380.70
Dark Platinum matt	17 861 680-99	1,803.60

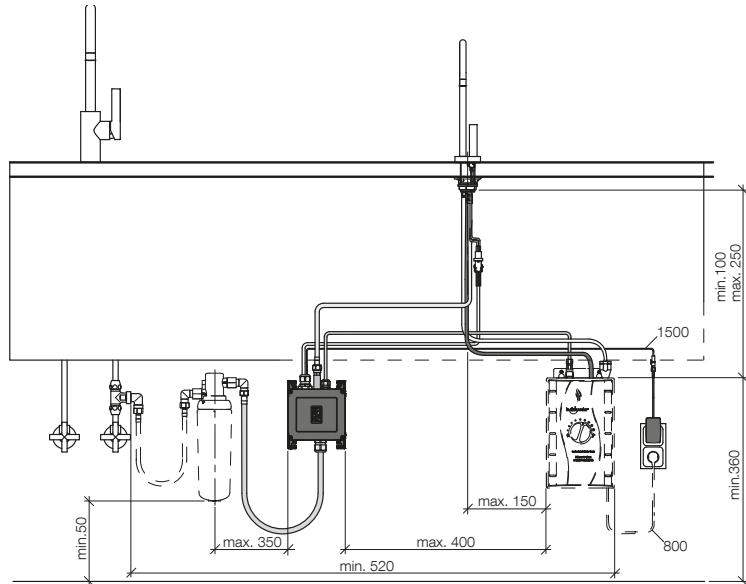


Required miscellaneous

Hot water tank incl. filter

	Euro
Hot water tank incl. filter	12 892 970 90 941.00

For details and miscellaneous, see page 071



Meta.02

Sieger Design



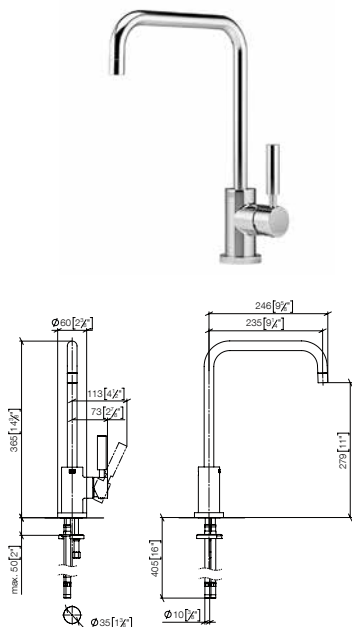
Detailed product information, appropriate files, dimensioned drawings and 3D objects can be found online at www.dornbracht.com.

33 810 625

Single-lever mixer

- 235 mm projection
- pivotable spout 360°
- air-enriched flow
- max. flow 7 l/min at 3 bar flow pressure
- lead-free

		Euro
polished chrome	33 810 625-00	639.20
platinum matt	33 810 625-06	1,022.80
platinum	33 810 625-08	1,022.80
brushed Durabronz	33 810 625-28	1,265.70
Dark Platinum matt	33 810 625-99	958.90
matt black	33 810 625-33	863.00



Recommended miscellaneous

Dispenser with rosette

For details and miscellaneous, see page 090

		Euro
polished chrome	82 434 970-00	240.50
platinum matt	82 434 970-06	384.70
platinum	82 434 970-08	384.70
brushed Durabronz	82 434 970-28	476.10
Dark Platinum matt	82 434 970-99	432.80
matt black	82 434 970-33	318.30



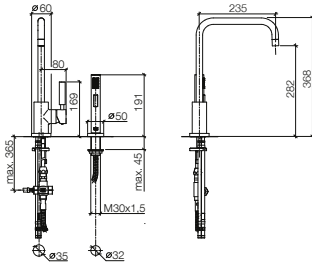
Recommended miscellaneous

Strainer waste with control handle

For details and miscellaneous, see page 092

		Euro
polished chrome	10 710 970-00	155.60
platinum matt	10 710 970-06	248.90
platinum	10 710 970-08	248.90
brushed Durabronz	10 710 970-28	308.00
Dark Platinum matt	10 710 970-99	233.30
matt black	10 710 970-33	210.10

33 820 625 + 27 721 970



Single-lever mixer with rinsing spray set

- 235 mm projection
- pivotable spout 360°
- air-enriched flow and spray flow
- fabric braided hose 1500 mm
- automatic spout/shower diverter
- sprayface with anti-scaling system
- max. flow 7 l/min at 3 bar flow pressure
- lead-free

Intrinsic protection against back flow.

		Euro
polished chrome	1x 33 820 625-00	639.20
	1x 27 721 970-00	439.50
Total price:		1,078.70
platinum matt	1x 33 820 625-06	1,022.80
	1x 27 721 970-06	703.20
Total price:		1,726.00
platinum	1x 33 820 625-08	1,022.80
	1x 27 721 970-08	703.20
Total price:		1,726.00
brushed Durabrass	1x 33 820 625-28	1,265.70
	1x 27 721 970-28	870.20
Total price:		2,135.90
Dark Platinum matt	1x 33 820 625-99	958.90
	1x 27 721 970-99	659.30
Total price:		1,618.20
matt black	1x 33 820 625-33	863.00
	1x 27 721 970-33	593.40
Total price:		1,456.40



Recommended miscellaneous

Dispenser with rosette

For details and miscellaneous, see page 090

		Euro
polished chrome	82 434 970-00	240.50
platinum matt	82 434 970-06	384.70
platinum	82 434 970-08	384.70
brushed Durabrass	82 434 970-28	476.10
Dark Platinum matt	82 434 970-99	432.80
matt black	82 434 970-33	318.30



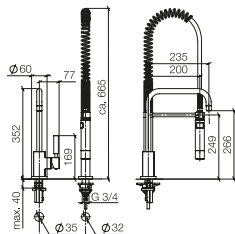
Recommended miscellaneous

Strainer waste with control handle

For details and miscellaneous, see page 092

		Euro
polished chrome	10 710 970-00	155.60
platinum matt	10 710 970-06	248.90
platinum	10 710 970-08	248.90
brushed Durabrass	10 710 970-28	308.00
Dark Platinum matt	10 710 970-99	233.30
matt black	10 710 970-33	210.10

33 820 625 + 27 789 970



Single-lever mixer with profi spray set

- 235 mm projection
- pivotable spout 360°
- air-enriched flow and spray flow
- automatic spout/shower diverter
- sprayface with anti-scaling system
- max. flow 7 l/min at 3 bar flow pressure
- lead-free

Intrinsic protection against back flow.

		Euro
polished chrome	1x 33 820 625-00	639.20
	1x 27 789 970-00	<u>1,072.80</u>
Total price:		1,712.00
platinum matt	1x 33 820 625-06	1,022.80
	1x 27 789 970-06	<u>1,716.40</u>
Total price:		2,739.20
platinum	1x 33 820 625-08	1,022.80
	1x 27 789 970-08	<u>1,716.40</u>
Total price:		2,739.20



Recommended miscellaneous

Dispenser with rosette

For details and miscellaneous, see page 090

		Euro
polished chrome	82 434 970-00	240.50
platinum matt	82 434 970-06	384.70
platinum	82 434 970-08	384.70



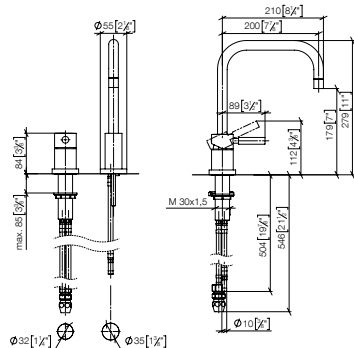
Recommended miscellaneous

Strainer waste with control handle

For details and miscellaneous, see page 092

		Euro
polished chrome	10 710 970-00	155.60
platinum matt	10 710 970-06	248.90
platinum	10 710 970-08	248.90

32 800 625



Two-hole mixer with individual rosettes

- 200 mm projection
- pivotable spout 360°
- air-enriched flow
- max. flow 7 l/min at 3 bar flow pressure
- lead-free

Operating unit can be positioned freely.

		Euro
polished chrome	32 800 625-00	711.80
platinum matt	32 800 625-06	1,138.70
platinum	32 800 625-08	1,138.70
brushed Durabronz	32 800 625-28	1,409.20
Dark Platinum matt	32 800 625-99	1,067.70
matt black	32 800 625-33	960.80



Recommended miscellaneous

Dispenser with rosette

For details and miscellaneous, see page 090

		Euro
polished chrome	82 434 970-00	240.50
platinum matt	82 434 970-06	384.70
platinum	82 434 970-08	384.70
brushed Durabronz	82 434 970-28	476.10
Dark Platinum matt	82 434 970-99	432.80
matt black	82 434 970-33	318.30



Recommended miscellaneous

Strainer waste with control handle

For details and miscellaneous, see page 092

		Euro
polished chrome	10 710 970-00	155.60
platinum matt	10 710 970-06	248.90
platinum	10 710 970-08	248.90
brushed Durabronz	10 710 970-28	308.00
Dark Platinum matt	10 710 970-99	233.30
matt black	10 710 970-33	210.10

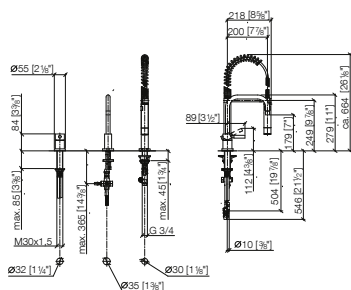
32 800 625 + 27 789 970

Two-hole mixer with individual rosettes with profi spray set

- 200 mm projection
- pivotable spout 360°
- air-enriched flow and spray flow
- automatic spout/shower diverter
- sprayface with anti-scaling system
- max. flow 7 l/min at 3 bar flow pressure
- lead-free

Intrinsic protection against back flow.

Operating unit can be positioned freely.



		Euro
polished chrome	1 x 32 800 625-00	711.80
	1 x 27 789 970-00	1,072.80
	Total price:	1,784.60
platinum matt	1 x 32 800 625-06	1,138.70
	1 x 27 789 970-06	1,716.40
	Total price:	2,855.10
platinum	1 x 32 800 625-08	1,138.70
	1 x 27 789 970-08	1,716.40
	Total price:	2,855.10



Recommended miscellaneous

Dispenser with rosette

For details and miscellaneous, see page 090

		Euro
polished chrome	82 434 970-00	240.50
	82 434 970-06	384.70
	82 434 970-08	384.70



Recommended miscellaneous

Strainer waste with control handle

For details and miscellaneous, see page 092

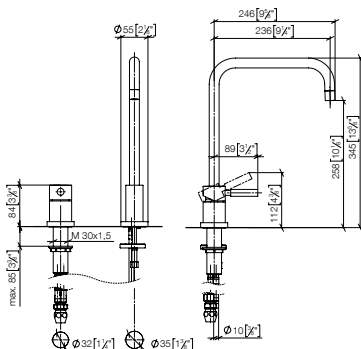
		Euro
polished chrome	10 710 970-00	155.60
	10 710 970-06	248.90
	10 710 970-08	248.90

32 815 625

Two-hole mixer with individual rosettes

- 236 mm projection
- pivotable spout 360°
- air-enriched flow
- max. flow 7 l/min at 3 bar flow pressure
- lead-free

Operating unit can be positioned freely.



		Euro
polished chrome	32 815 625-00	789.80
	32 815 625-06	1,263.70
platinum matt	32 815 625-06	1,263.70
	32 815 625-08	1,263.70
platinum	32 815 625-08	1,263.70
	32 815 625-28	1,563.90
brushed Durabronz	32 815 625-28	1,563.90
	32 815 625-99	1,184.70
Dark Platinum matt	32 815 625-99	1,184.70
	32 815 625-33	1,066.20
matt black	32 815 625-33	1,066.20



Recommended miscellaneous

Dispenser with rosette

For details and miscellaneous, see page 090

		Euro
polished chrome	82 434 970-00	240.50
	82 434 970-06	384.70
	82 434 970-08	384.70
brushed Durabronz	82 434 970-28	476.10
	82 434 970-99	432.80
Dark Platinum matt	82 434 970-99	432.80
	82 434 970-33	318.30



Recommended miscellaneous

Strainer waste with control handle

For details and miscellaneous, see page 092

		Euro
polished chrome	10 710 970-00	155.60
	10 710 970-06	248.90
	10 710 970-08	248.90
brushed Durabronz	10 710 970-28	308.00
	10 710 970-99	233.30
Dark Platinum matt	10 710 970-99	233.30
	10 710 970-33	210.10
matt black	10 710 970-33	210.10

32 815 625 + 27 789 970



Two-hole mixer with individual rosettes with profi spray set

- 236 mm projection
- pivotable spout 360°
- air-enriched flow and spray flow
- automatic spout/shower diverter
- sprayface with anti-scaling system
- max. flow 7 l/min at 3 bar flow pressure
- lead-free

Intrinsic protection against back flow.
Operating unit can be positioned freely.

		Euro
polished chrome	1 x 32 815 625-00	789.80
	1 x 27 789 970-00	<u>1,072.80</u>
Total price:		1,862.60
platinum matt	1 x 32 815 625-06	1,263.70
	1 x 27 789 970-06	<u>1,716.40</u>
Total price:		2,980.10
platinum	1 x 32 815 625-08	1,263.70
	1 x 27 789 970-08	<u>1,716.40</u>
Total price:		2,980.10



Recommended miscellaneous

Dispenser with rosette

For details and miscellaneous, see page 090

		Euro
polished chrome	82 434 970-00	240.50
	82 434 970-06	384.70
	82 434 970-08	384.70

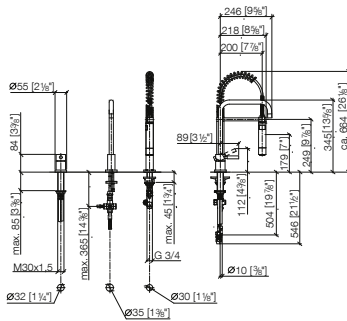


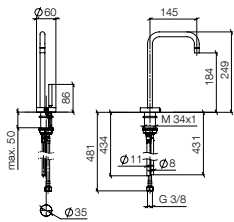
Recommended miscellaneous

Strainer waste with control handle

For details and miscellaneous, see page 092

		Euro
polished chrome	10 710 970-00	155.60
	10 710 970-06	248.90
	10 710 970-08	248.90





HOT & COLD WATER DISPENSER

- 145 mm projection
- rigid, thermally insulated spout
- laminar flow
- provides filtered, hot water up to 93°C
- provides filtered, cold water
- max. flow 2 l/min at 3 bar flow pressure
- ready-to-use control unit for wall mounting (137mm x 159mm x 60mm)
- electronic magnetic valve
- 100-230 V, 50-60 Hz, 18 W power supply unit, incl. country-specific adapter set
- lead-free

A minimum flow pressure of 3 bar is necessary for the HOT & COLD WATER DISPENSER to work perfectly in conjunction with a hot water tank and filter.

In addition, the installation must be above a kitchen sink.

The filter cartridge must be changed every six months. The installation instructions contain further information for guidance.

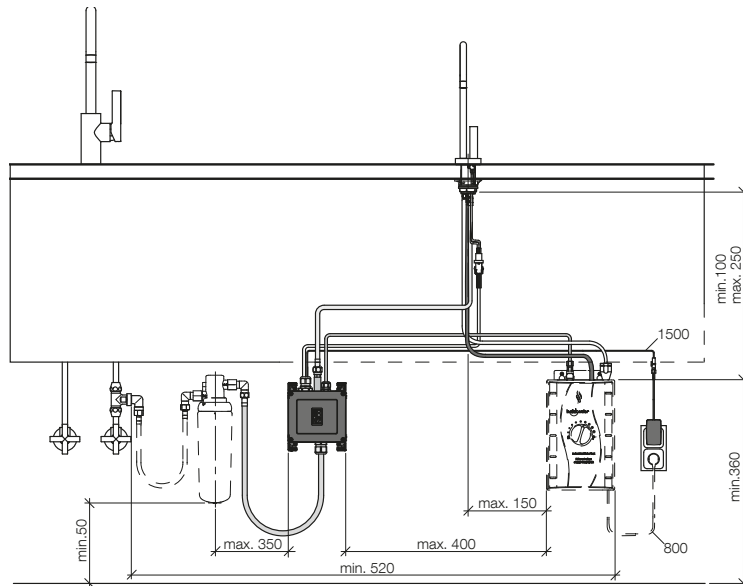
Detailed planning information and technical data can be found at www.dornbracht.com/professional

		Euro
polished chrome	17 861 625-00	861.70
platinum matt	17 861 625-06	1,378.60
platinum	17 861 625-08	1,378.60
brushed Durabrass	17 861 625-28	1,706.20
Dark Platinum matt	17 861 625-99	1,292.50
matt black	17 861 625-33	1,163.30



Required miscellaneous		Euro
Hot water tank incl. filter	12 892 970 90	941.00

For details and miscellaneous, see page 071



Sync

Sieger Design



Detailed product information, appropriate files, dimensioned drawings and 3D objects can be found online at www.dornbracht.com.

33 875 895

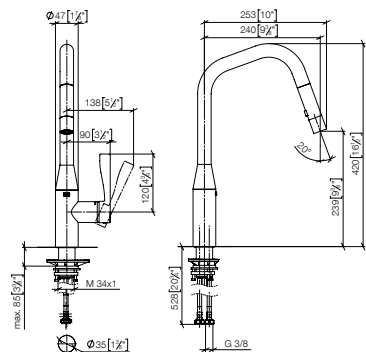


Single-lever mixer Pull-down with spray function

- 240 mm projection
- pivotable spout 360°
- optional limiting, pivoting 110°
- laminar and spray flow
- 1800 mm metal shower hose
- sprayface with anti-scaling system
- max. flow 10.4 l/min at 3 bar flow pressure
- lead-free

Intrinsic protection against back flow.

		Euro
polished chrome	33 875 895-00	780.90
chrome matt	33 875 895-93	937.10
platinum matt	33 875 895-06	1,249.30
platinum	33 875 895-08	1,249.30
Durabrass	33 875 895-09	1,546.20
brushed Durabrass	33 875 895-28	1,546.00
Dark Platinum matt	33 875 895-99	1,171.40



Recommended miscellaneous

Dispenser without rosette

For details and miscellaneous, see page 090

		Euro
polished chrome	82 424 970-00	220.70
chrome matt	82 424 970-93	264.90
platinum matt	82 424 970-06	353.10
platinum	82 424 970-08	353.10
Durabrass	82 424 970-09	436.90
brushed Durabrass	82 424 970-28	436.90
Dark Platinum matt	82 424 970-99	397.20



Recommended miscellaneous

Strainer waste with control handle

For details and miscellaneous, see page 093

		Euro
polished chrome	10 712 970-00	155.60
chrome matt	10 712 970-93	186.70
platinum matt	10 712 970-06	248.90
platinum	10 712 970-08	248.90
Durabrass	10 712 970-09	308.10
brushed Durabrass	10 712 970-28	308.00
Dark Platinum matt	10 712 970-99	233.30

33 870 895

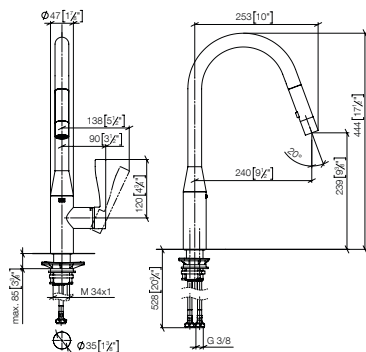


Single-lever mixer Pull-down with spray function

- 240 mm projection
- pivotable spout 360°
- optional limiting, pivoting 110°
- laminar and spray flow
- 1800 mm metal shower hose
- sprayface with anti-scaling system
- max. flow 10.4 l/min at 3 bar flow pressure
- lead-free

Intrinsic protection against back flow.

		Euro
polished chrome	33 870 895-00	780.90
chrome matt	33 870 895-93	937.10
platinum matt	33 870 895-06	1,249.30
platinum	33 870 895-08	1,249.30
Durabrass	33 870 895-09	1,546.20
brushed Durabrass	33 870 895-28	1,546.00
Dark Platinum matt	33 870 895-99	1,171.40



Recommended miscellaneous

Dispenser without rosette

For details and miscellaneous, see page 090

		Euro
polished chrome	82 424 970-00	220.70
chrome matt	82 424 970-93	264.90
platinum matt	82 424 970-06	353.10
platinum	82 424 970-08	353.10
Durabrass	82 424 970-09	436.90
brushed Durabrass	82 424 970-28	436.90
Dark Platinum matt	82 424 970-99	397.20



Recommended miscellaneous

Strainer waste with control handle

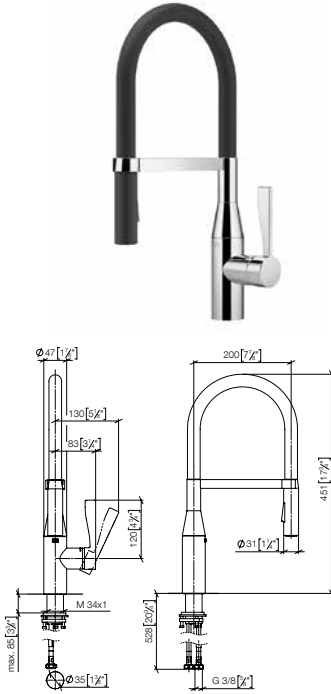
For details and miscellaneous, see page 093

		Euro
polished chrome	10 712 970-00	155.60
chrome matt	10 712 970-93	186.70
platinum matt	10 712 970-06	248.90
platinum	10 712 970-08	248.90
Durabrass	10 712 970-09	308.10
brushed Durabrass	10 712 970-28	308.00
Dark Platinum matt	10 712 970-99	233.30

Profi single-lever mixer

- **200 mm projection**
- Flexible silicone hose with large operating range of up to 350 mm
- pivotable 360°
- optional limiting, pivoting 110°
- air-enriched flow and spray flow
- sprayface with anti-scaling system
- max. flow 9.5 l/min at 3 bar flow pressure
- lead-free

Intrinsic protection against back flow.



		Euro
polished chrome	33 865 895-00	1,015.30
chrome matt	33 865 895-93	1,218.30
platinum matt	33 865 895-06	1,624.40
platinum	33 865 895-08	1,624.40
Durabrass	33 865 895-09	2,010.20
brushed Durabrass	33 865 895-28	2,010.20
Dark Platinum matt	33 865 895-99	1,522.70



Recommended miscellaneous

Dispenser without rosette

For details and miscellaneous, see page 090

		Euro
polished chrome	82 424 970-00	220.70
chrome matt	82 424 970-93	264.90
platinum matt	82 424 970-06	353.10
platinum	82 424 970-08	353.10
Durabrass	82 424 970-09	436.90
brushed Durabrass	82 424 970-28	436.90
Dark Platinum matt	82 424 970-99	397.20



Recommended miscellaneous

Strainer waste with control handle

For details and miscellaneous, see page 093

		Euro
polished chrome	10 712 970-00	155.60
chrome matt	10 712 970-93	186.70
platinum matt	10 712 970-06	248.90
platinum	10 712 970-08	248.90
Durabrass	10 712 970-09	308.10
brushed Durabrass	10 712 970-28	308.00
Dark Platinum matt	10 712 970-99	233.30

Tara.

Sieger Design



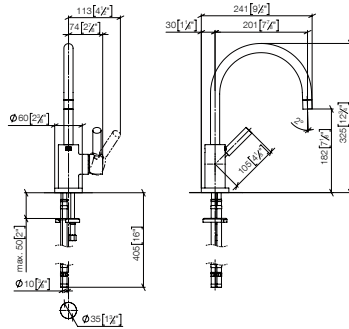
Detailed product information, appropriate files, dimensioned drawings and 3D objects can be found online at www.dornbracht.com.

33 800 888



Single-lever mixer

- 201 mm projection
- pivotable spout 360°
- air-enriched flow
- max. flow 7 l/min at 3 bar flow pressure
- lead-free



Recommended miscellaneous

Dispenser with rosette

For details and miscellaneous, see page 090

		Euro
polished chrome	33 800 888-00	698.70
chrome matt	33 800 888-93	838.50
platinum matt	33 800 888-06	1,118.00
platinum	33 800 888-08	1,118.00
Durabrass	33 800 888-09	1,383.50
brushed Durabrass	33 800 888-28	1,383.60
Dark Platinum matt	33 800 888-99	1,048.20
matt black	33 800 888-33	943.30



Recommended miscellaneous

Strainer waste with control handle

For details and miscellaneous, see page 092

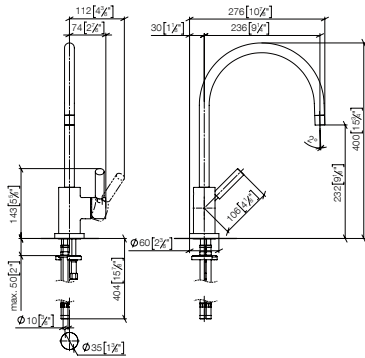
		Euro
polished chrome	82 434 970-00	240.50
chrome matt	82 434 970-93	288.60
platinum matt	82 434 970-06	384.70
platinum	82 434 970-08	384.70
Durabrass	82 434 970-09	476.20
brushed Durabrass	82 434 970-28	476.10
Dark Platinum matt	82 434 970-99	432.80
matt black	82 434 970-33	318.30

		Euro
polished chrome	10 710 970-00	155.60
chrome matt	10 710 970-93	186.70
platinum matt	10 710 970-06	248.90
platinum	10 710 970-08	248.90
Durabrass	10 710 970-09	308.10
brushed Durabrass	10 710 970-28	308.00
Dark Platinum matt	10 710 970-99	233.30
matt black	10 710 970-33	210.10

33 815 888

Single-lever mixer

- 236 mm projection
- pivotable spout 360°
- air-enriched flow
- max. flow 7 l/min at 3 bar flow pressure
- lead-free



Recommended miscellaneous

Dispenser with rosette

For details and miscellaneous, see page 090

		Euro
polished chrome	33 815 888-00	698.70
chrome matt	33 815 888-93	838.50
platinum matt	33 815 888-06	1,118.00
platinum	33 815 888-08	1,118.00
Durabrass	33 815 888-09	1,383.50
brushed Durabrass	33 815 888-28	1,383.60
Dark Platinum matt	33 815 888-99	1,048.20
matt black	33 815 888-33	943.30



Recommended miscellaneous

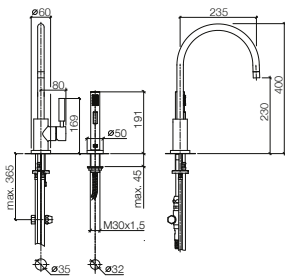
Strainer waste with control handle

For details and miscellaneous, see page 092

		Euro
polished chrome	82 434 970-00	240.50
chrome matt	82 434 970-93	288.60
platinum matt	82 434 970-06	384.70
platinum	82 434 970-08	384.70
Durabrass	82 434 970-09	476.20
brushed Durabrass	82 434 970-28	476.10
Dark Platinum matt	82 434 970-99	432.80
matt black	82 434 970-33	318.30

		Euro
polished chrome	10 710 970-00	155.60
chrome matt	10 710 970-93	186.70
platinum matt	10 710 970-06	248.90
platinum	10 710 970-08	248.90
Durabrass	10 710 970-09	308.10
brushed Durabrass	10 710 970-28	308.00
Dark Platinum matt	10 710 970-99	233.30
matt black	10 710 970-33	210.10

33 826 888 + 27 721 970



Single-lever mixer with rinsing spray set

- 235 mm projection
- pivotable spout 360°
- air-enriched flow and spray flow
- fabric braided hose 1500 mm
- automatic spout/shower diverter
- sprayface with anti-scaling system
- max. flow 7 l/min at 3 bar flow pressure
- lead-free

Intrinsic protection against back flow.

		Euro
polished chrome	1x 33 826 888-00	685.90
	1x 27 721 970-00	439.50
	Total price:	1,125.40
chrome matt	1x 33 826 888-93	823.10
	1x 27 721 970-93	527.40
	Total price:	1,350.50
platinum matt	1x 33 826 888-06	1,097.40
	1x 27 721 970-06	703.20
	Total price:	1,800.60
platinum	1x 33 826 888-08	1,097.40
	1x 27 721 970-08	703.20
	Total price:	1,800.60
Durabrass	1x 33 826 888-09	1,358.10
	1x 27 721 970-09	870.20
	Total price:	2,228.30
brushed Durabrass	1x 33 826 888-28	1,358.20
	1x 27 721 970-28	870.20
	Total price:	2,228.40
Dark Platinum matt	1x 33 826 888-99	1,029.00
	1x 27 721 970-99	659.30
	Total price:	1,688.30
matt black	1x 33 826 888-33	926.00
	1x 27 721 970-33	593.40
	Total price:	1,519.40



Recommended miscellaneous

Dispenser with rosette

For details and miscellaneous, see page 090

		Euro
polished chrome	82 434 970-00	240.50
chrome matt	82 434 970-93	288.60
platinum matt	82 434 970-06	384.70
platinum	82 434 970-08	384.70
Durabrass	82 434 970-09	476.20
brushed Durabrass	82 434 970-28	476.10
Dark Platinum matt	82 434 970-99	432.80
matt black	82 434 970-33	318.30



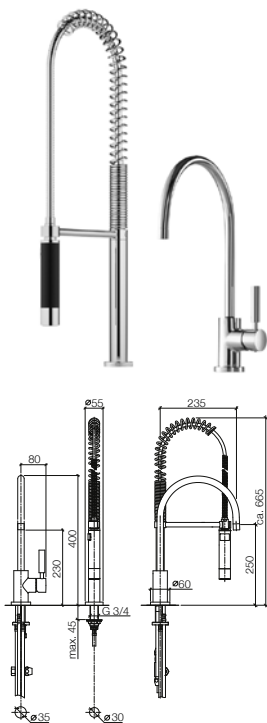
Recommended miscellaneous

Strainer waste with control handle

For details and miscellaneous, see page 092

		Euro
polished chrome	10 710 970-00	155.60
chrome matt	10 710 970-93	186.70
platinum matt	10 710 970-06	248.90
platinum	10 710 970-08	248.90
Durabrass	10 710 970-09	308.10
brushed Durabrass	10 710 970-28	308.00
Dark Platinum matt	10 710 970-99	233.30
matt black	10 710 970-33	210.10

33 826 888 + 27 789 970



Single-lever mixer with profi spray set

- 235 mm projection
- pivotable spout 360°
- air-enriched flow and spray flow
- automatic spout/shower diverter
- sprayface with anti-scaling system
- max. flow 7 l/min at 3 bar flow pressure
- lead-free

Intrinsic protection against back flow.

		Euro
polished chrome	1x 33 826 888-00	685.90
	1x 27 789 970-00	1,072.80
Total price:		1,758.70
chrome matt	1x 33 826 888-93	823.10
	1x 27 789 970-93	1,287.30
Total price:		2,110.40
platinum matt	1x 33 826 888-06	1,097.40
	1x 27 789 970-06	1,716.40
Total price:		2,813.80
platinum	1x 33 826 888-08	1,097.40
	1x 27 789 970-08	1,716.40
Total price:		2,813.80



Recommended miscellaneous

Dispenser with rosette

For details and miscellaneous, see page 090

		Euro
polished chrome	82 434 970-00	240.50
chrome matt	82 434 970-93	288.60
platinum matt	82 434 970-06	384.70
platinum	82 434 970-08	384.70



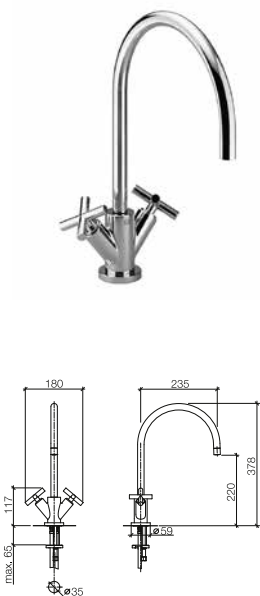
Recommended miscellaneous

Strainer waste with control handle

For details and miscellaneous, see page 092

		Euro
polished chrome	10 710 970-00	155.60
chrome matt	10 710 970-93	186.70
platinum matt	10 710 970-06	248.90
platinum	10 710 970-08	248.90

22 815 892



Single-hole mixer

- 235 mm projection
- pivotable spout 360°
- air-enriched flow
- max. flow 7 l/min at 3 bar flow pressure
- lead-free

		Euro
polished chrome	22 815 892-00	490.70
chrome matt	22 815 892-93	588.90
platinum matt	22 815 892-06	785.10
platinum	22 815 892-08	785.10
Durabrass	22 815 892-09	971.60
brushed Durabrass	22 815 892-28	971.60
Dark Platinum matt	22 815 892-99	736.10
matt black	22 815 892-33	662.50



Recommended miscellaneous

Dispenser with rosette

For details and miscellaneous, see page 090

		Euro
polished chrome	82 434 970-00	240.50
chrome matt	82 434 970-93	288.60
platinum matt	82 434 970-06	384.70
platinum	82 434 970-08	384.70
Durabrass	82 434 970-09	476.20
brushed Durabrass	82 434 970-28	476.10
Dark Platinum matt	82 434 970-99	432.80
matt black	82 434 970-33	318.30



Recommended miscellaneous

Strainer waste with control handle

For details and miscellaneous, see page 092

		Euro
polished chrome	10 710 970-00	155.60
chrome matt	10 710 970-93	186.70
platinum matt	10 710 970-06	248.90
platinum	10 710 970-08	248.90
Durabrass	10 710 970-09	308.10
brushed Durabrass	10 710 970-28	308.00
Dark Platinum matt	10 710 970-99	233.30
matt black	10 710 970-33	210.10

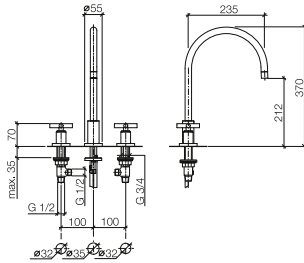
20 815 892



Three-hole mixer

- 235 mm projection
- pivotable spout 360°
- air-enriched flow
- max. flow 7 l/min at 3 bar flow pressure
- lead-free

		Euro
polished chrome	20 815 892-00	920.70
chrome matt	20 815 892-93	1,104.90
platinum matt	20 815 892-06	1,473.20
platinum	20 815 892-08	1,473.20
Durabrass	20 815 892-09	1,823.00
brushed Durabrass	20 815 892-28	1,823.10
Dark Platinum matt	20 815 892-99	1,381.10
matt black	20 815 892-33	1,242.90



Recommended miscellaneous



Dispenser with rosette

For details and miscellaneous, see page 090

		Euro
polished chrome	82 434 970-00	240.50
chrome matt	82 434 970-93	288.60
platinum matt	82 434 970-06	384.70
platinum	82 434 970-08	384.70
Durabrass	82 434 970-09	476.20
brushed Durabrass	82 434 970-28	476.10
Dark Platinum matt	82 434 970-99	432.80
matt black	82 434 970-33	318.30

Recommended miscellaneous



Strainer waste with control handle

For details and miscellaneous, see page 092

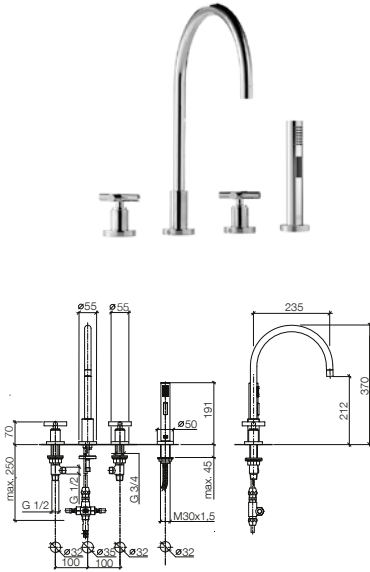
		Euro
polished chrome	10 710 970-00	155.60
chrome matt	10 710 970-93	186.70
platinum matt	10 710 970-06	248.90
platinum	10 710 970-08	248.90
Durabrass	10 710 970-09	308.10
brushed Durabrass	10 710 970-28	308.00
Dark Platinum matt	10 710 970-99	233.30
matt black	10 710 970-33	210.10

20 815 892 + 27 721 970

Three-hole mixer with rinsing spray set

- 235 mm projection
- pivotable spout 360°
- air-enriched flow and spray flow
- fabric braided hose 1500 mm
- automatic spout/shower diverter
- sprayface with anti-scaling system
- max. flow 7 l/min at 3 bar flow pressure
- lead-free

Intrinsic protection against back flow.



		Euro
polished chrome	1x 20 815 892-00	920.70
	1x 27 721 970-00	439.50
Total price:		1,360.20
chrome matt	1x 20 815 892-93	1,104.90
	1x 27 721 970-93	527.40
Total price:		1,632.30
platinum matt	1x 20 815 892-06	1,473.20
	1x 27 721 970-06	703.20
Total price:		2,176.40
platinum	1x 20 815 892-08	1,473.20
	1x 27 721 970-08	703.20
Total price:		2,176.40
Durabrass	1x 20 815 892-09	1,823.00
	1x 27 722 970-09	943.60
Total price:		2,766.60
brushed Durabrass	1x 20 815 892-28	1,823.10
	1x 27 721 970-28	870.20
Total price:		2,693.30
Dark Platinum matt	1x 20 815 892-99	1,381.10
	1x 27 721 970-99	659.30
Total price:		2,040.40
matt black	1x 20 815 892-33	1,242.90
	1x 27 721 970-33	593.40
Total price:		1,836.30



Recommended miscellaneous

Dispenser with rosette

For details and miscellaneous, see page 090

		Euro
polished chrome	82 434 970-00	240.50
chrome matt	82 434 970-93	288.60
platinum matt	82 434 970-06	384.70
platinum	82 434 970-08	384.70
Durabrass	82 434 970-09	476.20
brushed Durabrass	82 434 970-28	476.10
Dark Platinum matt	82 434 970-99	432.80
matt black	82 434 970-33	318.30



Recommended miscellaneous

Strainer waste with control handle

For details and miscellaneous, see page 092

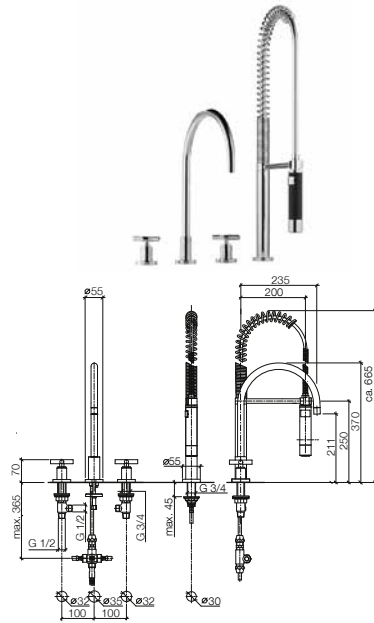
		Euro
polished chrome	10 710 970-00	155.60
chrome matt	10 710 970-93	186.70
platinum matt	10 710 970-06	248.90
platinum	10 710 970-08	248.90
Durabrass	10 710 970-09	308.10
brushed Durabrass	10 710 970-28	308.00
Dark Platinum matt	10 710 970-99	233.30
matt black	10 710 970-33	210.10

20 815 892 + 27 789 970

Three-hole mixer with profi spray set

- 235 mm projection
- pivotable spout 360°
- air-enriched flow and spray flow
- automatic spout/shower diverter
- sprayface with anti-scaling system
- max. flow 7 l/min at 3 bar flow pressure
- lead-free

Intrinsic protection against back flow.



		Euro
polished chrome	1x 20 815 892-00	920.70
	1x 27 789 970-00	<u>1,072.80</u>
Total price:		1,993.50
chrome matt	1x 20 815 892-93	1,104.90
	1x 27 789 970-93	<u>1,287.30</u>
Total price:		2,392.20
platinum matt	1x 20 815 892-06	1,473.20
	1x 27 789 970-06	<u>1,716.40</u>
Total price:		3,189.60
platinum	1x 20 815 892-08	1,473.20
	1x 27 789 970-08	<u>1,716.40</u>
Total price:		3,189.60



Recommended miscellaneous

Dispenser with rosette

For details and miscellaneous, see page 090

		Euro
polished chrome	82 434 970-00	240.50
	82 434 970-93	288.60
platinum matt	82 434 970-06	384.70
	82 434 970-08	384.70



Recommended miscellaneous

Strainer waste with control handle

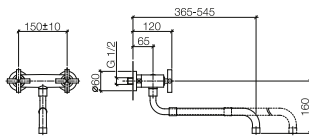
For details and miscellaneous, see page 092

		Euro
polished chrome	10 710 970-00	155.60
	10 710 970-93	186.70
platinum matt	10 710 970-06	248.90
	10 710 970-08	248.90

31 151 892

Wall-mounted bridge mixer with extending spout

- 365-545 mm projection
- pivoting spout
- laminar flow
- 1/2" connection
- max. flow 8.3 l/min at 3 bar flow pressure
- lead-free



		Euro
polished chrome	31 151 892-00	888.60
	31 151 892-93	1,066.30
platinum matt	31 151 892-06	1,421.70
	31 151 892-08	1,421.70
Durabrass	31 151 892-09	1,759.40
	31 151 892-28	1,759.30
Dark Platinum matt	31 151 892-99	1,332.90

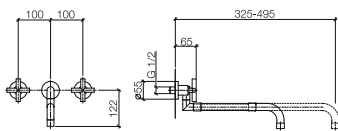
36 819 892



Wall-mounted sink mixer with extending spout

- 325-495 mm projection
- pivoting spout
- laminar flow
- max. flow 19.9 l/min at 3 bar flow pressure
- lead-free

		Euro
polished chrome	36 819 892-00	1,146.40
chrome matt	36 819 892-93	1,375.60
platinum matt	36 819 892-06	1,834.20
platinum	36 819 892-08	1,834.20
Durabrass	36 819 892-09	2,269.90
brushed Durabrass	36 819 892-28	2,269.90
Dark Platinum matt	36 819 892-99	1,562.80



Required miscellaneous

Concealed wall-mounted mixer Centred spout

- min. recess depth 85 mm
- max. recess depth 145 mm

For details and miscellaneous, see page 101

		Euro
Concealed rough parts	35 700 970 90	155.60



Required miscellaneous

Concealed wall-mounted mixer variable positioning

- min. recess depth 85 mm
- max. recess depth 145 mm

For details and miscellaneous, see page 102

		Euro
Concealed rough parts	35 720 970 90	124.10

33 880 888

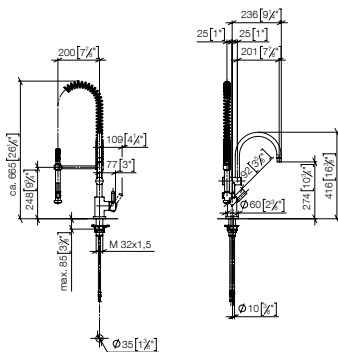


Profi single-lever mixer

- 200 mm projection
- pivotable spout 360°
- air-enriched flow and spray flow
- sprayface with anti-scaling system
- max. flow 7 l/min at 3 bar flow pressure
- lead-free

Intrinsic protection against back flow.

		Euro
polished chrome	33 880 888-00	1,450.00
chrome matt	33 880 888-93	1,739.90
platinum matt	33 880 888-06	2,320.10
platinum	33 880 888-08	2,320.10



Recommended miscellaneous

Dispenser with rosette

For details and miscellaneous, see page 090

		Euro
polished chrome	82 434 970-00	240.50
chrome matt	82 434 970-93	288.60
platinum matt	82 434 970-06	384.70
platinum	82 434 970-08	384.70



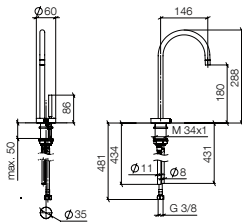
Recommended miscellaneous

Strainer waste with control handle

For details and miscellaneous, see page 092

		Euro
polished chrome	10 710 970-00	155.60
chrome matt	10 710 970-93	186.70
platinum matt	10 710 970-06	248.90
platinum	10 710 970-08	248.90

17 861 888



HOT & COLD WATER DISPENSER

- 146 mm projection
- rigid, thermally insulated spout
- laminar flow
- provides filtered, hot water up to 93°C
- provides filtered, cold water
- max. flow 2 l/min at 3 bar flow pressure
- ready-to-use control unit for wall mounting (135mm x 160mm x 60mm)
- electronic magnetic valve
- 100-230 V, 50-60 Hz, 18 W power supply unit, incl. country-specific adapter set
- lead-free

A minimum flow pressure of 3 bar is necessary for the HOT & COLD WATER DISPENSER to work perfectly in conjunction with a hot water tank and filter.

In addition, the installation must be above a kitchen sink.

The filter cartridge must be changed every six months. The installation instructions contain further information for guidance.

Detailed planning information and technical data can be found at www.dornbracht.com/professional

		Euro
polished chrome	17 861 888-00	861.70
chrome matt	17 861 888-93	1,034.00
platinum matt	17 861 888-06	1,378.60
platinum	17 861 888-08	1,378.60
Durabrass	17 861 888-09	1,706.20
brushed Durabrass	17 861 888-28	1,706.20
Dark Platinum matt	17 861 888-99	1,292.50
matt black	17 861 888-33	1,163.30

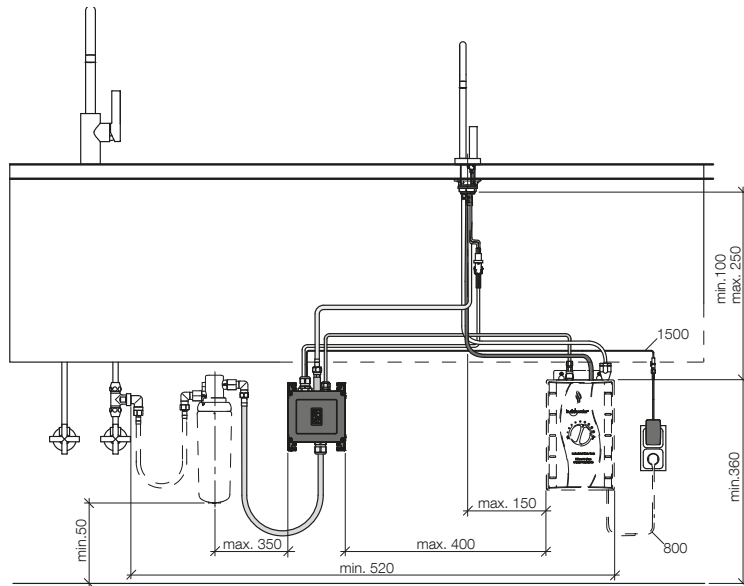


Required miscellaneous

Hot water tank incl. filter

For details and miscellaneous, see page 071

		Euro
Hot water tank incl. filter	12 892 970 90	941.00



Tara Ultra

Sieger Design



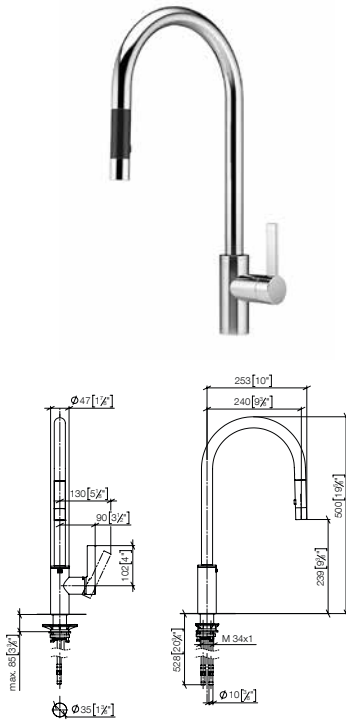
Detailed product information, appropriate files, dimensioned drawings and 3D objects can be found online at www.dornbracht.com.

33 870 875

Single-lever mixer Pull-down with spray function

- 240 mm projection
- pivotable spout 360°
- optional limiting, pivoting 110°
- laminar and spray flow
- 1800 mm metal shower hose
- sprayface with anti-scaling system
- max. flow 10.4 l/min at 3 bar flow pressure
- lead-free

Intrinsic protection against back flow.



		Euro
polished chrome	33 870 875-00	706.70
chrome matt	33 870 875-93	848.00
platinum matt	33 870 875-06	1,130.60
platinum	33 870 875-08	1,130.60
Durabrass	33 870 875-09	1,399.30
brushed Durabrass	33 870 875-28	1,399.30
Dark Platinum matt	33 870 875-99	1,059.80
matt black	33 870 875-33	954.10



Recommended miscellaneous

Dispenser without rosette

For details and miscellaneous, see page 090

		Euro
polished chrome	82 424 970-00	220.70
chrome matt	82 424 970-93	264.90
platinum matt	82 424 970-06	353.10
platinum	82 424 970-08	353.10
Durabrass	82 424 970-09	436.90
brushed Durabrass	82 424 970-28	436.90
Dark Platinum matt	82 424 970-99	397.20
matt black	82 424 970-33	297.90



Recommended miscellaneous

Strainer waste with control handle

For details and miscellaneous, see page 093

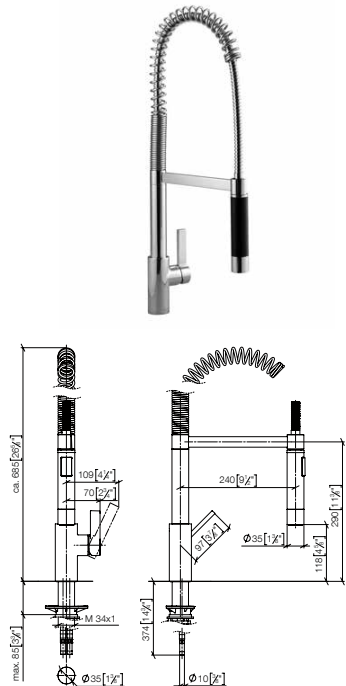
		Euro
polished chrome	10 712 970-00	155.60
chrome matt	10 712 970-93	186.70
platinum matt	10 712 970-06	248.90
platinum	10 712 970-08	248.90
Durabrass	10 712 970-09	308.10
brushed Durabrass	10 712 970-28	308.00
Dark Platinum matt	10 712 970-99	233.30
matt black	10 712 970-33	210.10

33 860 875

Profi single-lever mixer

- 240 mm projection
- pivotable 360°
- air-enriched flow and spray flow
- sprayface with anti-scaling system
- max. flow 8 l/min at 3 bar flow pressure
- lead-free

Intrinsic protection against back flow.



Recommended miscellaneous

Dispenser without rosette

For details and miscellaneous, see page 090

		Euro
polished chrome	33 860 875-00	1,221.80
chrome matt	33 860 875-93	1,466.10
platinum matt	33 860 875-06	1,954.90
platinum	33 860 875-08	1,954.90



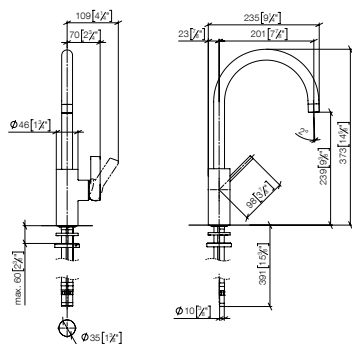
Recommended miscellaneous

Strainer waste with control handle

For details and miscellaneous, see page 093

		Euro
polished chrome	10 712 970-00	155.60
chrome matt	10 712 970-93	186.70
platinum matt	10 712 970-06	248.90
platinum	10 712 970-08	248.90

33 800 875



Single-lever mixer

- 201 mm projection
- pivotable spout 360°
- air-enriched flow
- max. flow 8 l/min at 3 bar flow pressure
- lead-free

		Euro
polished chrome	33 800 875-00	573.30
chrome matt	33 800 875-93	688.00
platinum matt	33 800 875-06	917.40
platinum	33 800 875-08	917.40
Durabrass	33 800 875-09	1,135.20
brushed Durabrass	33 800 875-28	1,135.20
Dark Platinum matt	33 800 875-99	860.00
matt black	33 800 875-33	774.00



Recommended miscellaneous

Dispenser without rosette

For details and miscellaneous, see page 090

		Euro
polished chrome	82 424 970-00	220.70
chrome matt	82 424 970-93	264.90
platinum matt	82 424 970-06	353.10
platinum	82 424 970-08	353.10
Durabrass	82 424 970-09	436.90
brushed Durabrass	82 424 970-28	436.90
Dark Platinum matt	82 424 970-99	397.20
matt black	82 424 970-33	297.90



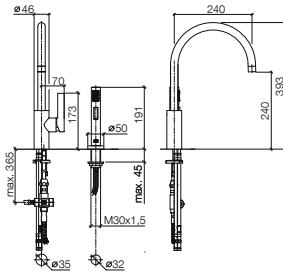
Recommended miscellaneous

Strainer waste with control handle

For details and miscellaneous, see page 093

		Euro
polished chrome	10 712 970-00	155.60
chrome matt	10 712 970-93	186.70
platinum matt	10 712 970-06	248.90
platinum	10 712 970-08	248.90
Durabrass	10 712 970-09	308.10
brushed Durabrass	10 712 970-28	308.00
Dark Platinum matt	10 712 970-99	233.30
matt black	10 712 970-33	210.10

33 826 875 + 27 721 970



Single-lever mixer with rinsing spray set

- 241 mm projection
- pivotable spout 360°
- air-enriched flow and spray flow
- automatic spout/shower diverter
- fabric braided hose 1500 mm
- sprayface with anti-scaling system
- max. flow 8 l/min at 3 bar flow pressure
- lead-free

Intrinsic protection against back flow.

		Euro
polished chrome	1x 33 826 875-00	603.80
	1x 27 721 970-00	439.50
Total price:		1,043.30
chrome matt	1x 33 826 875-93	724.60
	1x 27 721 970-93	527.40
Total price:		1,252.00
platinum matt	1x 33 826 875-06	966.10
	1x 27 721 970-06	703.20
Total price:		1,669.30
platinum	1x 33 826 875-08	966.10
	1x 27 721 970-08	703.20
Total price:		1,669.30
Durabrass	1x 33 826 875-09	1,195.60
	1x 27 721 970-09	870.20
Total price:		2,065.80
brushed Durabrass	1x 33 826 875-28	1,195.50
	1x 27 721 970-28	870.20
Total price:		2,065.70
Dark Platinum matt	1x 33 826 875-99	905.80
	1x 27 721 970-99	659.30
Total price:		1,565.10
matt black	1x 33 826 875-33	815.20
	1x 27 721 970-33	593.40
Total price:		1,408.60



Recommended miscellaneous

Dispenser with rosette

For details and miscellaneous, see page 090

		Euro
polished chrome	82 434 970-00	240.50
chrome matt	82 434 970-93	288.60
platinum matt	82 434 970-06	384.70
platinum	82 434 970-08	384.70
Durabrass	82 434 970-09	476.20
brushed Durabrass	82 434 970-28	476.10
Dark Platinum matt	82 434 970-99	432.80
matt black	82 434 970-33	318.30



Recommended miscellaneous

Strainer waste with control handle

For details and miscellaneous, see page 092

		Euro
polished chrome	10 710 970-00	155.60
chrome matt	10 710 970-93	186.70
platinum matt	10 710 970-06	248.90
platinum	10 710 970-08	248.90
Durabrass	10 710 970-09	308.10
brushed Durabrass	10 710 970-28	308.00
Dark Platinum matt	10 710 970-99	233.30
matt black	10 710 970-33	210.10

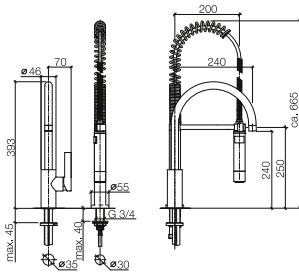
33 826 875 + 27 789 970



Single-lever mixer with profi spray set

- 241 mm projection
- pivotable spout 360°
- air-enriched flow and spray flow
- automatic spout/shower diverter
- sprayface with anti-scaling system
- max. flow 8 l/min at 3 bar flow pressure
- lead-free

Intrinsic protection against back flow.



Recommended miscellaneous

Dispenser without rosette

For details and miscellaneous, see page 090



Recommended miscellaneous

Strainer waste with control handle

For details and miscellaneous, see page 093

		Euro
polished chrome	1x 33 826 875-00	603.80
	1x 27 789 970-00	<u>1,072.80</u>
Total price:		1,676.60
chrome matt	1x 33 826 875-93	724.60
	1x 27 789 970-93	<u>1,287.30</u>
Total price:		2,011.90
platinum matt	1x 33 826 875-06	966.10
	1x 27 789 970-06	<u>1,716.40</u>
Total price:		2,682.50
platinum	1x 33 826 875-08	966.10
	1x 27 789 970-08	<u>1,716.40</u>
Total price:		2,682.50

		Euro
polished chrome	82 424 970-00	220.70
	82 424 970-93	264.90
	82 424 970-06	353.10
	82 424 970-08	353.10

		Euro
polished chrome	10 712 970-00	155.60
	10 712 970-93	186.70
	10 712 970-06	248.90
	10 712 970-08	248.90



HOT & COLD WATER DISPENSER

- 146 mm projection
- rigid, thermally insulated spout
- laminar flow
- provides filtered, hot water up to 93°C
- provides filtered, cold water
- max. flow 2 l/min at 3 bar flow pressure
- ready-to-use control unit for wall mounting (135mm x 160mm x 60mm)
- electronic magnetic valve
- 100-230 V, 50-60 Hz, 18 W power supply unit, incl. country-specific adapter set
- lead-free

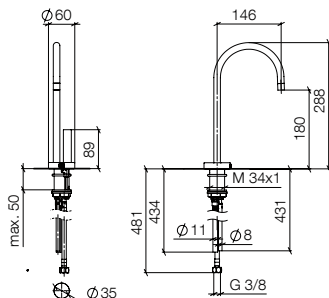
A minimum flow pressure of 3 bar is necessary for the HOT & COLD WATER DISPENSER to work perfectly in conjunction with a hot water tank and filter.

In addition, the installation must be above a kitchen sink.

The filter cartridge must be changed every six months. The installation instructions contain further information for guidance.

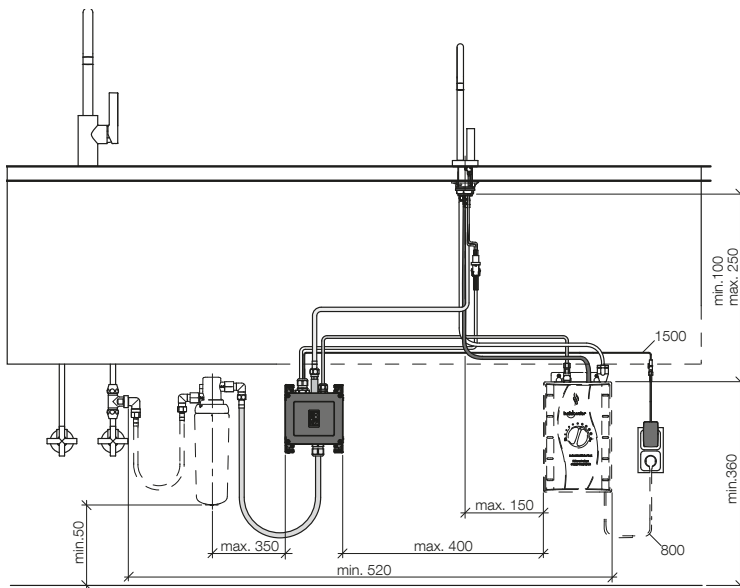
Detailed planning information and technical data can be found at www.dornbracht.com/professional

		Euro
polished chrome	17 861 875-00	739.60
chrome matt	17 861 875-93	887.50
platinum matt	17 861 875-06	1,183.40
platinum	17 861 875-08	1,183.40
Durabross	17 861 875-09	1,464.40
brushed Durabross	17 861 875-28	1,464.50
Dark Platinum matt	17 861 875-99	1,109.40
matt black	17 861 875-33	998.40



Required miscellaneous		Euro
Hot water tank incl. filter	12 892 970 90	941.00

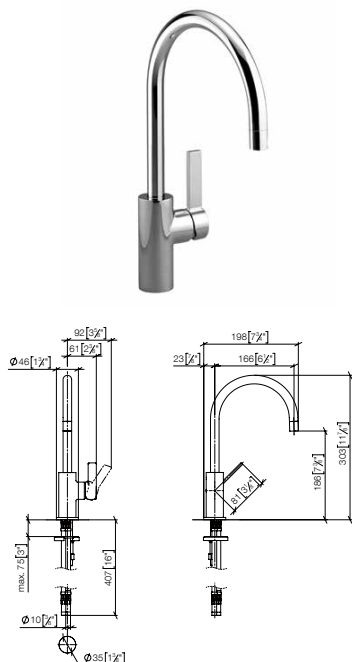
For details and miscellaneous, see page 071



33 805 875

BAR TAP Single-lever mixer

- 166 mm projection
- pivotable spout 360°
- laminar flow
- max. flow 8 l/min at 3 bar flow pressure
- lead-free



		Euro
polished chrome	33 805 875-00	558.00
chrome matt	33 805 875-93	669.60
platinum matt	33 805 875-06	892.80
platinum	33 805 875-08	892.80
Durabrass	33 805 875-09	1,104.90
brushed Durabrass	33 805 875-28	1,105.00
Dark Platinum matt	33 805 875-99	837.00
matt black	33 805 875-33	753.30



Recommended miscellaneous

Dispenser without rosette

For details and miscellaneous, see page 090

		Euro
polished chrome	82 424 970-00	220.70
chrome matt	82 424 970-93	264.90
platinum matt	82 424 970-06	353.10
platinum	82 424 970-08	353.10
Durabrass	82 424 970-09	436.90
brushed Durabrass	82 424 970-28	436.90
Dark Platinum matt	82 424 970-99	397.20
matt black	82 424 970-33	297.90



Recommended miscellaneous

Strainer waste with control handle

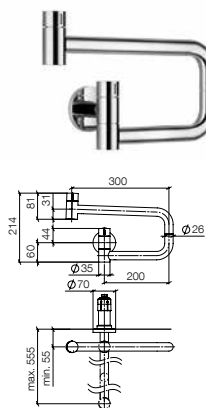
For details and miscellaneous, see page 093

		Euro
polished chrome	10 712 970-00	155.60
chrome matt	10 712 970-93	186.70
platinum matt	10 712 970-06	248.90
platinum	10 712 970-08	248.90
Durabrass	10 712 970-09	308.10
brushed Durabrass	10 712 970-28	308.00
Dark Platinum matt	10 712 970-99	233.30
matt black	10 712 970-33	210.10

30 805 875

POT FILLER Cold-water valve

- 500 mm projection
- pivoting spout
- laminar flow
- max. flow 5.7 l/min at 3 bar flow pressure
- lead-free



		Euro
polished chrome	30 805 875-00	832.40
chrome matt	30 805 875-93	998.80
platinum matt	30 805 875-06	1,331.90
platinum	30 805 875-08	1,331.90
Durabrass	30 805 875-09	1,648.10
brushed Durabrass	30 805 875-28	1,648.10
Dark Platinum matt	30 805 875-99	1,244.20



Required miscellaneous

POT FILLER Concealed wall elbow

- min. recess depth 80 mm
- max. recess depth 125 mm

For details and miscellaneous, see page 100

		Euro
Concealed rough parts	35 087 970 90	117.20



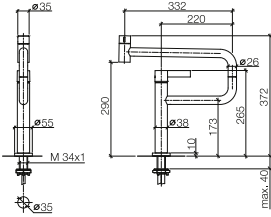
Recommended miscellaneous

Aerator laminar with slit Laminar flow M24x1

- to increase flow rate to 11 l/min at 3 bar flow pressure

		Euro
polished chrome	90 23 01 026 03-00	32.70
platinum matt	90 23 01 026 03-06	50.20
platinum	90 23 01 026 03-08	50.20
brushed Durabrass	90 23 01 026 03-28	86.00
Dark Platinum matt	90 23 01 026 03-99	64.50

33 845 875



PIVOT Single-lever mixer

- 552 mm projection
- pivotable spout 360°
- air-enriched flow
- max. flow 8 l/min at 3 bar flow pressure
- lead-free

		Euro
polished chrome	33 845 875-00	1,111.00
chrome matt	33 845 875-93	1,333.20
platinum matt	33 845 875-06	1,777.50
platinum	33 845 875-08	1,777.50
Durabrand	33 845 875-09	2,199.80
brushed Durabrand	33 845 875-28	2,199.60
Dark Platinum matt	33 845 875-99	1,666.50



Recommended miscellaneous

Dispenser with rosette

For details and miscellaneous, see page 090

		Euro
polished chrome	82 434 970-00	240.50
chrome matt	82 434 970-93	288.60
platinum matt	82 434 970-06	384.70
platinum	82 434 970-08	384.70
Durabrand	82 434 970-09	476.20
brushed Durabrand	82 434 970-28	476.10
Dark Platinum matt	82 434 970-99	432.80



Recommended miscellaneous

Strainer waste with control handle

For details and miscellaneous, see page 092

		Euro
polished chrome	10 710 970-00	155.60
chrome matt	10 710 970-93	186.70
platinum matt	10 710 970-06	248.90
platinum	10 710 970-08	248.90
Durabrand	10 710 970-09	308.10
brushed Durabrand	10 710 970-28	308.00
Dark Platinum matt	10 710 970-99	233.30

Single-lever mixer – extending spout

Sieger Design



Pull-down and pull-out single-lever mixers feature a functional element that can be extended downwards or forwards.

In pull-down single-lever mixers, this changes at the touch of a button from a gentle laminar flow with minimal splashing to a powerful spray flow.

Choose between an extending spout or an extending spray as the functional element for pull-out single-lever mixers.

Detailed product information, appropriate files, dimensioned drawings and 3D objects can be found online at www.dornbracht.com.

33 870 875

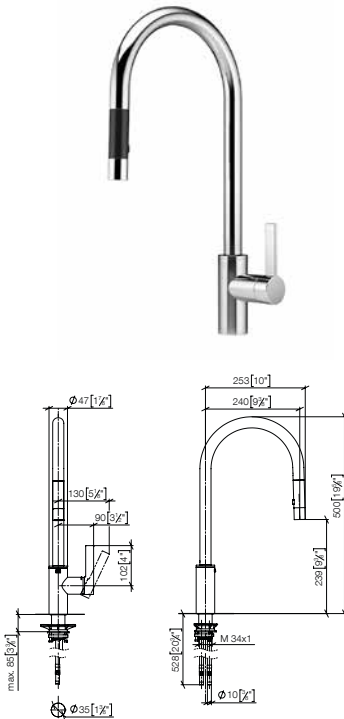
Tara Ultra

Single-lever mixer Pull-down with spray function

- 240 mm projection
- pivotable spout 360°
- optional limiting, pivoting 110°
- laminar and spray flow
- 1800 mm metal shower hose
- sprayface with anti-scaling system
- max. flow 10.4 l/min at 3 bar flow pressure
- lead-free

Intrinsic protection against back flow.

		Euro
polished chrome	33 870 875-00	706.70
chrome matt	33 870 875-93	848.00
platinum matt	33 870 875-06	1,130.00
platinum	33 870 875-08	1,130.00
Durabrand	33 870 875-09	1,399.30
brushed Durabrand	33 870 875-28	1,399.30
Dark Platinum matt	33 870 875-99	1,059.80
matt black	33 870 875-33	954.10



Recommended miscellaneous

Dispenser without rosette

For details and miscellaneous, see page 090

		Euro
polished chrome	82 424 970-00	220.70
chrome matt	82 424 970-93	264.90
platinum matt	82 424 970-06	353.10
platinum	82 424 970-08	353.10
Durabrand	82 424 970-09	436.90
brushed Durabrand	82 424 970-28	436.90
Dark Platinum matt	82 424 970-99	397.20
matt black	82 424 970-33	297.90



Recommended miscellaneous

Strainer waste with control handle

For details and miscellaneous, see page 093

		Euro
polished chrome	10 712 970-00	155.60
chrome matt	10 712 970-93	186.70
platinum matt	10 712 970-06	248.90
platinum	10 712 970-08	248.90
Durabrand	10 712 970-09	308.10
brushed Durabrand	10 712 970-28	308.00
Dark Platinum matt	10 712 970-99	233.30
matt black	10 712 970-33	210.10

33 870 790

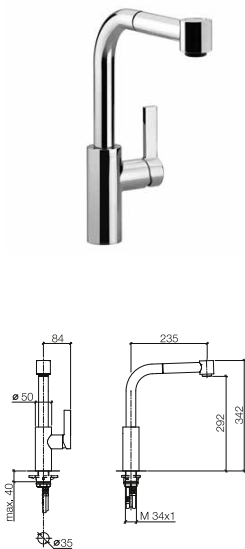
Elio

Single-lever mixer Pull-out with spray function

- 235 mm projection
- pivotable spout 360°
- air-enriched flow and spray flow
- fabric braided hose 1500 mm
- max. flow 8 l/min at 3 bar flow pressure
- lead-free

Intrinsic protection against back flow.

		Euro
polished chrome	33 870 790-00	706.70
chrome matt	33 870 790-93	848.00
platinum matt	33 870 790-06	1,130.00
platinum	33 870 790-08	1,130.00
brushed Durabrand	33 870 790-28	1,399.30
Dark Platinum matt	33 870 790-99	1,060.00



Recommended miscellaneous

Dispenser without rosette

For details and miscellaneous, see page 090

		Euro
polished chrome	82 424 970-00	220.70
chrome matt	82 424 970-93	264.90
platinum matt	82 424 970-06	353.10
platinum	82 424 970-08	353.10
brushed Durabrand	82 424 970-28	436.90
Dark Platinum matt	82 424 970-99	397.20



Recommended miscellaneous

Strainer waste with control handle

For details and miscellaneous, see page 093

		Euro
polished chrome	10 712 970-00	155.60
chrome matt	10 712 970-93	186.70
platinum matt	10 712 970-06	248.90
platinum	10 712 970-08	248.90
brushed Durabrand	10 712 970-28	308.00
Dark Platinum matt	10 712 970-99	233.30

Single-lever mixer – extending spout

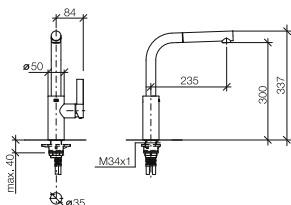
Sieger Design

33 840 790

Elio **Single-lever mixer Pull-out**

- 235 mm projection
- pivotable spout 360°
- air-enriched flow
- fabric braided hose 1500 mm
- max. flow 8.8 l/min at 3 bar flow pressure
- lead-free

Intrinsic protection against back flow.



Recommended miscellaneous

Dispenser without rosette

For details and miscellaneous, see page 090



Recommended miscellaneous

Strainer waste with control handle

For details and miscellaneous, see page 093

		Euro
polished chrome	33 840 790-00	671.70
chrome matt	33 840 790-93	806.10
platinum matt	33 840 790-06	1,074.80
platinum	33 840 790-08	1,074.80
brushed Durabronz	33 840 790-28	1,330.10
Dark Platinum matt	33 840 790-99	1,007.70

		Euro
polished chrome	82 424 970-00	220.70
chrome matt	82 424 970-93	264.90
platinum matt	82 424 970-06	353.10
platinum	82 424 970-08	353.10
brushed Durabronz	82 424 970-28	436.90
Dark Platinum matt	82 424 970-99	397.20

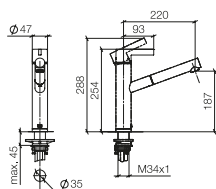
		Euro
polished chrome	10 712 970-00	155.60
chrome matt	10 712 970-93	186.70
platinum matt	10 712 970-06	248.90
platinum	10 712 970-08	248.90
brushed Durabronz	10 712 970-28	308.00
Dark Platinum matt	10 712 970-99	233.30

33 845 760

eno **Single-lever mixer Pull-out**

- 220 mm projection
- pivotable spout 130°
- air-enriched flow
- 1600mm metal shower hose
- max. flow 10 l/min at 3 bar flow pressure
- lead-free

Intrinsic protection against back flow.



Recommended miscellaneous

Dispenser without rosette

For details and miscellaneous, see page 090



Recommended miscellaneous

Strainer waste with control handle

For details and miscellaneous, see page 093

		Euro
polished chrome	33 845 760-00	592.40
chrome matt	33 845 760-93	710.90
platinum matt	33 845 760-06	947.70
platinum	33 845 760-08	947.70
brushed Durabronz	33 845 760-28	1,172.80
Dark Platinum matt	33 845 760-99	888.60

		Euro
polished chrome	82 424 970-00	220.70
chrome matt	82 424 970-93	264.90
platinum matt	82 424 970-06	353.10
platinum	82 424 970-08	353.10
brushed Durabronz	82 424 970-28	436.90
Dark Platinum matt	82 424 970-99	397.20

		Euro
polished chrome	10 712 970-00	155.60
chrome matt	10 712 970-93	186.70
platinum matt	10 712 970-06	248.90
platinum	10 712 970-08	248.90
brushed Durabronz	10 712 970-28	308.00
Dark Platinum matt	10 712 970-99	233.30

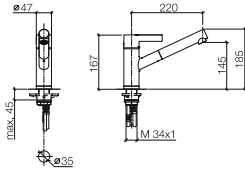
33 840 760



eno **Single-lever mixer Pull-out**

- 220 mm projection
- pivotable spout 130°
- air-enriched flow
- fabric braided hose 1500 mm
- max. flow 8 l/min at 3 bar flow pressure
- lead-free

Intrinsic protection against back flow.



		Euro
polished chrome	33 840 760-00	533.40
chrome matt	33 840 760-93	640.10
platinum matt	33 840 760-06	853.40
platinum	33 840 760-08	853.40
brushed Durabrass	33 840 760-28	1,056.10
Dark Platinum matt	33 840 760-99	800.10



Recommended miscellaneous

Dispenser without rosette

For details and miscellaneous, see page 090

		Euro
polished chrome	82 424 970-00	220.70
chrome matt	82 424 970-93	264.90
platinum matt	82 424 970-06	353.10
platinum	82 424 970-08	353.10
brushed Durabrass	82 424 970-28	436.90
Dark Platinum matt	82 424 970-99	397.20



Recommended miscellaneous

Strainer waste with control handle

For details and miscellaneous, see page 093

		Euro
polished chrome	10 712 970-00	155.60
chrome matt	10 712 970-93	186.70
platinum matt	10 712 970-06	248.90
platinum	10 712 970-08	248.90
brushed Durabrass	10 712 970-28	308.00
Dark Platinum matt	10 712 970-99	233.30

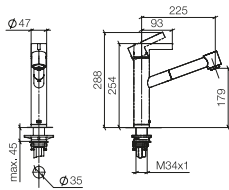
33 875 760



eno **Single-lever mixer Pull-out with spray function**

- 225 mm projection
- pivotable spout 130°
- air-enriched flow and spray flow
- 1600mm metal shower hose
- max. flow 9.6 l/min at 3 bar flow pressure
- lead-free

Intrinsic protection against back flow.



		Euro
polished chrome	33 875 760-00	627.20
chrome matt	33 875 760-93	752.70
platinum matt	33 875 760-06	1,003.60
platinum	33 875 760-08	1,003.60
brushed Durabrass	33 875 760-28	1,242.00
Dark Platinum matt	33 875 760-99	940.90



Recommended miscellaneous

Dispenser without rosette

For details and miscellaneous, see page 090

		Euro
polished chrome	82 424 970-00	220.70
chrome matt	82 424 970-93	264.90
platinum matt	82 424 970-06	353.10
platinum	82 424 970-08	353.10
brushed Durabrass	82 424 970-28	436.90
Dark Platinum matt	82 424 970-99	397.20



Recommended miscellaneous

Strainer waste with control handle

For details and miscellaneous, see page 093

		Euro
polished chrome	10 712 970-00	155.60
chrome matt	10 712 970-93	186.70
platinum matt	10 712 970-06	248.90
platinum	10 712 970-08	248.90
brushed Durabrass	10 712 970-28	308.00
Dark Platinum matt	10 712 970-99	233.30

Single-lever mixer – extending spout Sieger Design

33 870 760

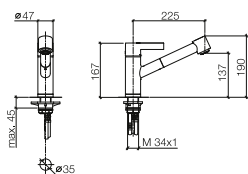


eno **Single-lever mixer Pull-out with spray function**

- 225 mm projection
- pivotable spout 130°
- air-enriched flow and spray flow
- fabric braided hose 1500 mm
- max. flow 8.3 l/min at 3 bar flow pressure
- lead-free

Intrinsic protection against back flow.

		Euro
polished chrome	33 870 760-00	568.50
chrome matt	33 870 760-93	682.20
platinum matt	33 870 760-06	909.60
platinum	33 870 760-08	909.60
brushed Durabronz	33 870 760-28	1,125.50
Dark Platinum matt	33 870 760-99	852.80



Recommended miscellaneous

Dispenser without rosette

For details and miscellaneous, see page 090

		Euro
polished chrome	82 424 970-00	220.70
chrome matt	82 424 970-93	264.90
platinum matt	82 424 970-06	353.10
platinum	82 424 970-08	353.10
brushed Durabronz	82 424 970-28	436.90
Dark Platinum matt	82 424 970-99	397.20



Recommended miscellaneous

Strainer waste with control handle

For details and miscellaneous, see page 093

		Euro
polished chrome	10 712 970-00	155.60
chrome matt	10 712 970-93	186.70
platinum matt	10 712 970-06	248.90
platinum	10 712 970-08	248.90
brushed Durabronz	10 712 970-28	308.00
Dark Platinum matt	10 712 970-99	233.30

Single-lever mixer – Profi fitting

Sieger Design



Profi fittings combine comfort and professionalism: pivoting Profi single-lever mixers increase the radius of action around the fitting, offering considerable variety of movement and design. Continually change between the two modes – air-enriched or spray flow – at any time, simply by adjusting the Profi spray.

Detailed product information, appropriate files, dimensioned drawings and 3D objects can be found online at www.dornbracht.com.

Single-lever mixer – Profi fitting Sieger Design

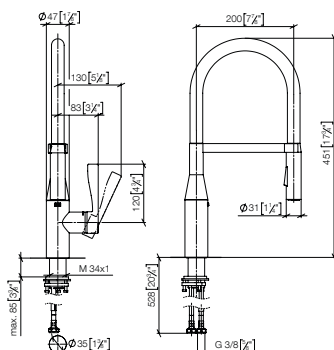
33 865 895

Sync

Profi single-lever mixer

- 200 mm projection
- Flexible silicone hose with large operating range of up to 350 mm
- pivotable 360°
- optional limiting, pivoting 110°
- air-enriched flow and spray flow
- sprayface with anti-scaling system
- max. flow 9.5 l/min at 3 bar flow pressure
- lead-free

Intrinsic protection against back flow.



		Euro
polished chrome	33 865 895-00	1,015.30
chrome matt	33 865 895-93	1,218.30
platinum matt	33 865 895-06	1,624.40
platinum	33 865 895-08	1,624.40
Durabrass	33 865 895-09	2,010.20
brushed Durabrass	33 865 895-28	2,010.20
Dark Platinum matt	33 865 895-99	1,522.70



Recommended miscellaneous

Dispenser without rosette

For details and miscellaneous, see page 090

		Euro
polished chrome	82 424 970-00	220.70
chrome matt	82 424 970-93	264.90
platinum matt	82 424 970-06	353.10
platinum	82 424 970-08	353.10
Durabrass	82 424 970-09	436.90
brushed Durabrass	82 424 970-28	436.90
Dark Platinum matt	82 424 970-99	397.20



Recommended miscellaneous

Strainer waste with control handle

For details and miscellaneous, see page 093

		Euro
polished chrome	10 712 970-00	155.60
chrome matt	10 712 970-93	186.70
platinum matt	10 712 970-06	248.90
platinum	10 712 970-08	248.90
Durabrass	10 712 970-09	308.10
brushed Durabrass	10 712 970-28	308.00
Dark Platinum matt	10 712 970-99	233.30

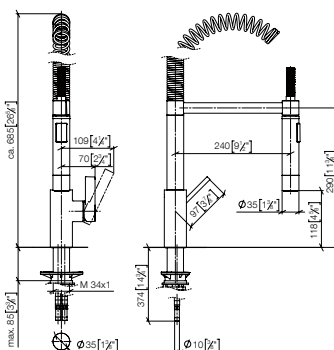
33 860 875

Tara Ultra

Profi single-lever mixer

- 240 mm projection
- pivotable 360°
- air-enriched flow and spray flow
- sprayface with anti-scaling system
- max. flow 8 l/min at 3 bar flow pressure
- lead-free

Intrinsic protection against back flow.



		Euro
polished chrome	33 860 875-00	1,221.80
chrome matt	33 860 875-93	1,466.10
platinum matt	33 860 875-06	1,954.90
platinum	33 860 875-08	1,954.90



Recommended miscellaneous

Dispenser without rosette

For details and miscellaneous, see page 090

		Euro
polished chrome	82 424 970-00	220.70
chrome matt	82 424 970-93	264.90
platinum matt	82 424 970-06	353.10
platinum	82 424 970-08	353.10



Recommended miscellaneous

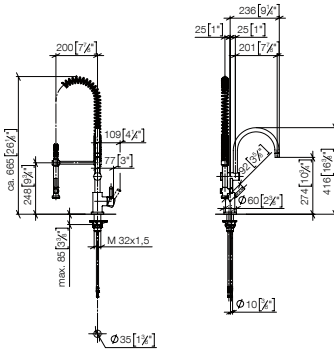
Strainer waste with control handle

For details and miscellaneous, see page 093

		Euro
polished chrome	10 712 970-00	155.60
chrome matt	10 712 970-93	186.70
platinum matt	10 712 970-06	248.90
platinum	10 712 970-08	248.90

- 200 mm projection
- pivotable spout 360°
- air-enriched flow and spray flow
- sprayface with anti-scaling system
- max. flow 7 l/min at 3 bar flow pressure
- lead-free

Intrinsic protection against back flow.



		Euro
polished chrome	33 880 888-00	1,450.00
chrome matt	33 880 888-93	1,739.90
platinum matt	33 880 888-06	2,320.10
platinum	33 880 888-08	2,320.10



Recommended miscellaneous

Dispenser with rosette

For details and miscellaneous, see page 090

		Euro
polished chrome	82 434 970-00	240.50
chrome matt	82 434 970-93	288.60
platinum matt	82 434 970-06	384.70
platinum	82 434 970-08	384.70



Recommended miscellaneous

Strainer waste with control handle

For details and miscellaneous, see page 092

		Euro
polished chrome	10 710 970-00	155.60
chrome matt	10 710 970-93	186.70
platinum matt	10 710 970-06	248.90
platinum	10 710 970-08	248.90

Water Dispenser / Bar Tap

Sieger Design



WATER DISPENSERS supply filtered, cold or boiling hot water, combining sensible, practical functions with extreme ease of use in the design language of the TARA ULTRA, ELIO, TARA., META 02 and LOT series.

Our BAR TAPS are the easiest way to introduce an elegant source of drinking water into your kitchen. They are available in the design language of the LOT and TARA ULTRA series.

Detailed product information, appropriate files, dimensioned drawings and 3D objects can be found online at www.dornbracht.com.

Water Dispenser / Bar Tap Sieger Design

17 861 790

Elio **HOT & COLD WATER DISPENSER**



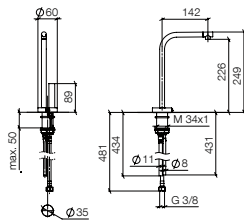
- 142 mm projection
- rigid, thermally insulated spout
- laminar flow
- provides filtered, hot water up to 93°C
- provides filtered, cold water
- max. flow 2 l/min at 3 bar flow pressure
- ready-to-use control unit for wall mounting (135mm x 160mm x 60mm)
- electronic magnetic valve
- 100-230 V, 50-60 Hz, 18 W power supply unit, incl. country-specific adapter set
- lead-free

A minimum flow pressure of 3 bar is necessary for the HOT & COLD WATER DISPENSER to work perfectly in conjunction with a hot water tank and filter.

In addition, the installation must be above a kitchen sink.

The filter cartridge must be changed every six months. The installation instructions contain further information for guidance.

Detailed planning information and technical data can be found at www.dornbracht.com/professional



		Euro
polished chrome	17 861 790-00	861.70
chrome matt	17 861 790-93	1,034.00
platinum matt	17 861 790-06	1,378.60
platinum	17 861 790-08	1,378.60
brushed Durabronz	17 861 790-28	1,706.20
Dark Platinum matt	17 861 790-99	1,292.50

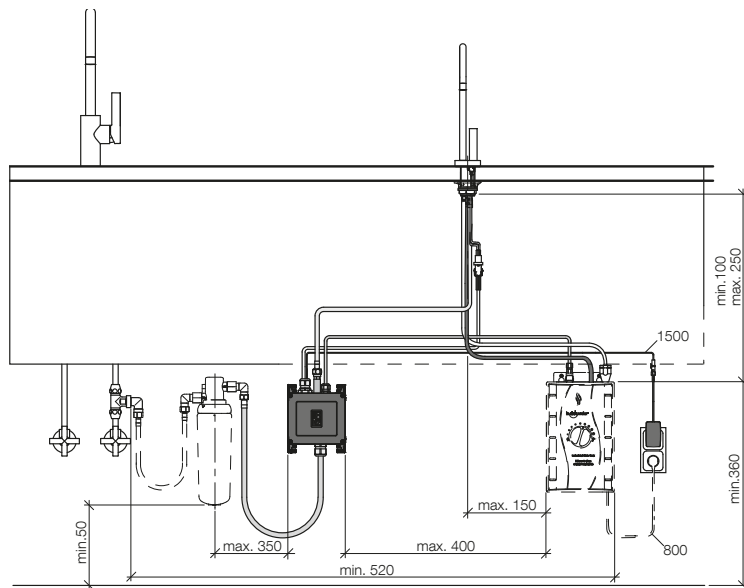


Required miscellaneous

Hot water tank incl. filter

	Euro
Hot water tank incl. filter	12 892 970 90 941.00

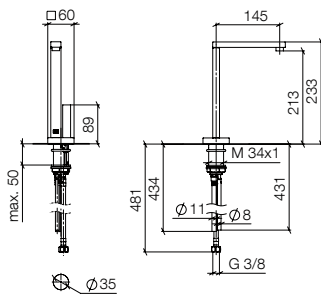
For details and miscellaneous, see page 071



Water Dispenser / Bar Tap Sieger Design

17 861 680

Lot **HOT & COLD WATER DISPENSER**



- 145 mm projection
- rigid, thermally insulated spout
- laminar flow
- provides filtered, hot water up to 93°C
- provides filtered, cold water
- max. flow 2 l/min at 3 bar flow pressure
- ready-to-use control unit for wall mounting (135mm x 160mm x 60mm)
- electronic magnetic valve
- 100-230 V, 50-60 Hz, 18 W power supply unit, incl. country-specific adapter set
- lead-free

A minimum flow pressure of 3 bar is necessary for the HOT & COLD WATER DISPENSER to work perfectly in conjunction with a hot water tank and filter.

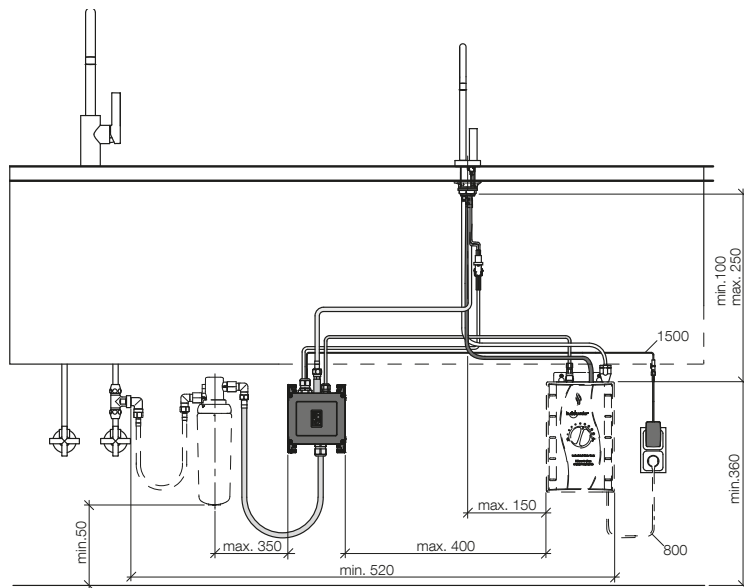
In addition, the installation must be above a kitchen sink.

The filter cartridge must be changed every six months. The installation instructions contain further information for guidance.

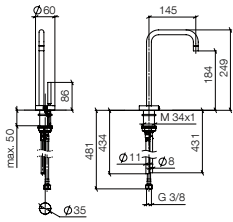
Detailed planning information and technical data can be found at www.dornbracht.com/professional

		Euro
polished chrome	17 861 680-00	1,202.40
platinum matt	17 861 680-06	1,923.80
platinum	17 861 680-08	1,923.80
brushed Durabross	17 861 680-28	2,380.70
Dark Platinum matt	17 861 680-99	1,803.60

		Euro
Required miscellaneous		
 Hot water tank incl. filter	12 892 970 90	941.00
For details and miscellaneous, see page 071		



HOT & COLD WATER DISPENSER



- 145 mm projection
- rigid, thermally insulated spout
- laminar flow
- provides filtered, hot water up to 93°C
- provides filtered, cold water
- max. flow 2 l/min at 3 bar flow pressure
- ready-to-use control unit for wall mounting (137mm x 159mm x 60mm)
- electronic magnetic valve
- 100-230 V, 50-60 Hz, 18 W power supply unit, incl. country-specific adapter set
- lead-free

A minimum flow pressure of 3 bar is necessary for the HOT & COLD WATER DISPENSER to work perfectly in conjunction with a hot water tank and filter.

In addition, the installation must be above a kitchen sink.

The filter cartridge must be changed every six months. The installation instructions contain further information for guidance.

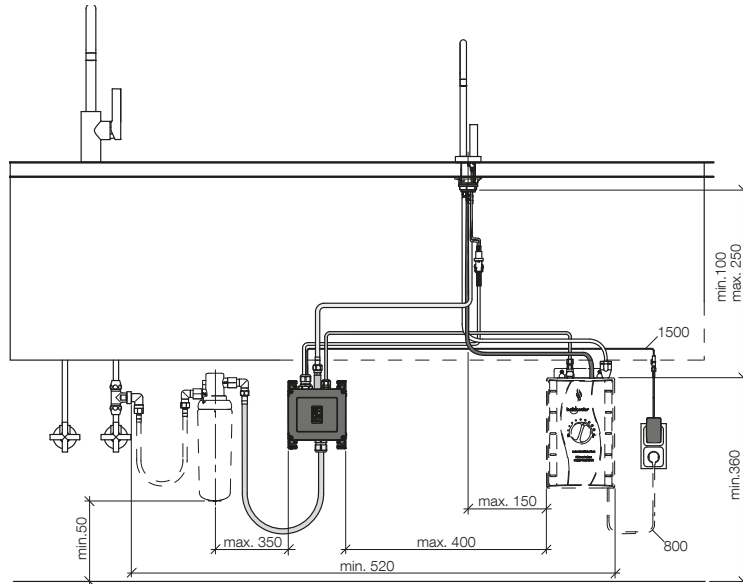
Detailed planning information and technical data can be found at www.dornbracht.com/professional

		Euro
polished chrome	17 861 625-00	861.70
platinum matt	17 861 625-06	1,378.60
platinum	17 861 625-08	1,378.60
brushed Durabrass	17 861 625-28	1,706.20
Dark Platinum matt	17 861 625-99	1,292.50
matt black	17 861 625-33	1,163.30



Required miscellaneous		Euro
Hot water tank incl. filter	12 892 970 90	941.00

For details and miscellaneous, see page 071



Water Dispenser / Bar Tap Sieger Design

17 861 888

Tara. **HOT & COLD WATER DISPENSER**



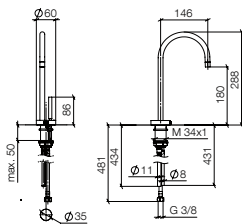
- 146 mm projection
- rigid, thermally insulated spout
- laminar flow
- provides filtered, hot water up to 93°C
- provides filtered, cold water
- max. flow 2 l/min at 3 bar flow pressure
- ready-to-use control unit for wall mounting (135mm x 160mm x 60mm)
- electronic magnetic valve
- 100-230 V, 50-60 Hz, 18 W power supply unit, incl. country-specific adapter set
- lead-free

A minimum flow pressure of 3 bar is necessary for the HOT & COLD WATER DISPENSER to work perfectly in conjunction with a hot water tank and filter.

In addition, the installation must be above a kitchen sink.

The filter cartridge must be changed every six months. The installation instructions contain further information for guidance.

Detailed planning information and technical data can be found at www.dornbracht.com/professional



		Euro
polished chrome	17 861 888-00	861.70
chrome matt	17 861 888-93	1,034.00
platinum matt	17 861 888-06	1,378.60
platinum	17 861 888-08	1,378.60
Durabross	17 861 888-09	1,706.20
brushed Durabross	17 861 888-28	1,706.20
Dark Platinum matt	17 861 888-99	1,292.50
matt black	17 861 888-33	1,163.30

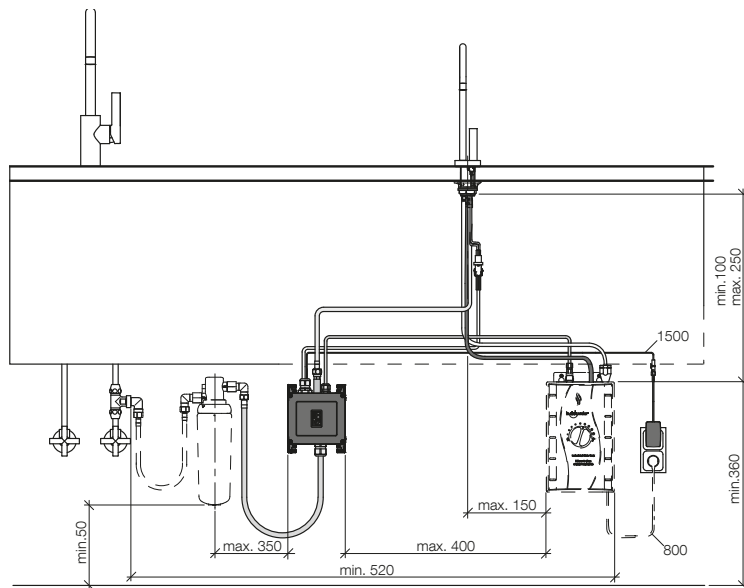


Required miscellaneous

Hot water tank incl. filter

For details and miscellaneous, see page 071

		Euro
Hot water tank incl. filter	12 892 970 90	941.00

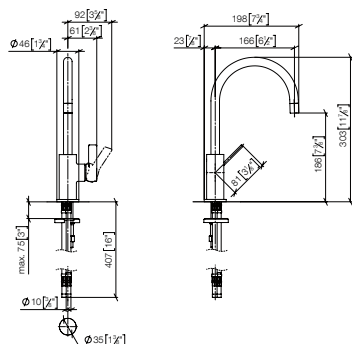


33 805 875

Tara Ultra

BAR TAP Single-lever mixer

- 166 mm projection
- pivotable spout 360°
- laminar flow
- max. flow 8 l/min at 3 bar flow pressure
- lead-free



Recommended miscellaneous

Dispenser without rosette

For details and miscellaneous, see page 090

		Euro
polished chrome	33 805 875-00	558.00
chrome matt	33 805 875-93	669.60
platinum matt	33 805 875-06	892.80
platinum	33 805 875-08	892.80
Durabrass	33 805 875-09	1,104.90
brushed Durabrass	33 805 875-28	1,105.00
Dark Platinum matt	33 805 875-99	837.00
matt black	33 805 875-33	753.30



Recommended miscellaneous

Strainer waste with control handle

For details and miscellaneous, see page 093

		Euro
polished chrome	82 424 970-00	220.70
chrome matt	82 424 970-93	264.90
platinum matt	82 424 970-06	353.10
platinum	82 424 970-08	353.10
Durabrass	82 424 970-09	436.90
brushed Durabrass	82 424 970-28	436.90
Dark Platinum matt	82 424 970-99	397.20
matt black	82 424 970-33	297.90

		Euro
polished chrome	10 712 970-00	155.60
chrome matt	10 712 970-93	186.70
platinum matt	10 712 970-06	248.90
platinum	10 712 970-08	248.90
Durabrass	10 712 970-09	308.10
brushed Durabrass	10 712 970-28	308.00
Dark Platinum matt	10 712 970-99	233.30
matt black	10 712 970-33	210.10

Designs

Functions

Kitchen sinks

Accessories, miscellaneous sink/
installation items

Concealed body

General information

Water Dispenser / Bar Tap Sieger Design

17 861 875

Tara Ultra

HOT & COLD WATER DISPENSER



- 146 mm projection
- rigid, thermally insulated spout
- laminar flow
- provides filtered, hot water up to 93°C
- provides filtered, cold water
- max. flow 2 l/min at 3 bar flow pressure
- ready-to-use control unit for wall mounting (135mm x 160mm x 60mm)
- electronic magnetic valve
- 100-230 V, 50-60 Hz, 18 W power supply unit, incl. country-specific adapter set
- lead-free

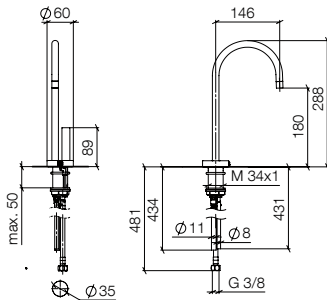
A minimum flow pressure of 3 bar is necessary for the HOT & COLD WATER DISPENSER to work perfectly in conjunction with a hot water tank and filter.

In addition, the installation must be above a kitchen sink.

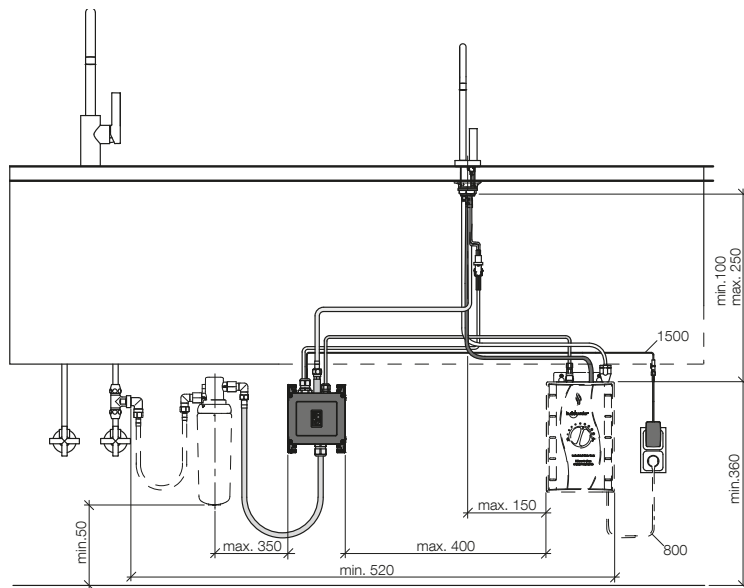
The filter cartridge must be changed every six months. The installation instructions contain further information for guidance.

Detailed planning information and technical data can be found at www.dornbracht.com/professional

		Euro
polished chrome	17 861 875-00	739.60
chrome matt	17 861 875-93	887.50
platinum matt	17 861 875-06	1,183.40
platinum	17 861 875-08	1,183.40
Durabrass	17 861 875-09	1,464.40
brushed Durabrass	17 861 875-28	1,464.50
Dark Platinum matt	17 861 875-99	1,109.40
matt black	17 861 875-33	998.40



		Euro
	Required miscellaneous Hot water tank incl. filter	12 892 970 90 941.00
	For details and miscellaneous, see page 071	



12 892 970

Miscellaneous

Hot water tank incl. filter

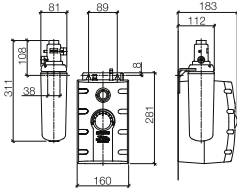


- CEE 7/4 connector
- thermostat regulator (88°C - 98°C)
- capacity 2,5 litres
- power 1300 W
- voltage 220 - 240 volt
- activated carbon filter (5.0 micron level)
- chemical and mechanical filtering
- reduces water hardness (ion exchanger)
- filters dirt, rust, chlorine and lead particles
- filter capacity approx. 450 litres

**For use with HOT & COLD WATER DISPENSER
17 861 625 / 17 861 680 / 17 861 790 /
17 861 875 / 17 861 888**

The filter cartridge must be changed every six months. The installation instructions contain further information for guidance.

The products are not available in all markets, please contact your Dornbracht sales force.



Euro
12 892 970 90 **941.00**

12 896 970

Miscellaneous

Replacement filter cartridge



- activated carbon filter (5.0 micron level)
- chemical and mechanical filtering
- reduces water hardness (ion exchanger)
- filters dirt, rust, chlorine and lead particles
- filter capacity approx. 450 litres
- for 12 892 970 90

The filter cartridge must be changed every six months. The installation instructions contain further information for guidance.

The products are not available in all markets, please contact your Dornbracht sales force.

Euro
12 896 970 90 **107.60**

Designs

Functions

Kitchen sinks

Accessories, miscellaneous sink/
installation items

Concealed body

General information

Pivoting spout / wall-mounted fitting

Sieger Design



PIVOT and POT FILLER allow pans and containers to be filled right next to the hob. They act as an extended arm in the kitchen, helping you work comfortably and precisely.

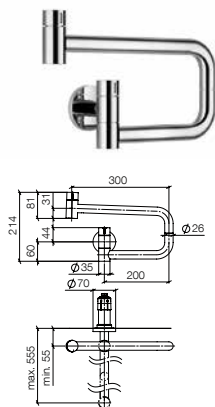
Detailed product information, appropriate files, dimensioned drawings and 3D objects can be found online at www.dornbracht.com.

30 805 875

Tara Ultra

POT FILLER Cold-water valve

- 500 mm projection
- pivoting spout
- laminar flow
- max. flow 5.7 l/min at 3 bar flow pressure
- lead-free



Required miscellaneous

POT FILLER Concealed wall elbow

- min. recess depth 80 mm
- max. recess depth 125 mm

For details and miscellaneous, see page 100



Recommended miscellaneous

Aerator laminar with slit Laminar flow M24x1

- to increase flow rate to 11 l/min at 3 bar flow pressure

		Euro
polished chrome	30 805 875-00	832.40
chrome matt	30 805 875-93	998.80
platinum matt	30 805 875-06	1,331.90
platinum	30 805 875-08	1,331.90
Durabron	30 805 875-09	1,648.10
brushed Durabron	30 805 875-28	1,648.10
Dark Platinum matt	30 805 875-99	1,244.20

		Euro
Concealed rough parts	35 087 970 90	117.20

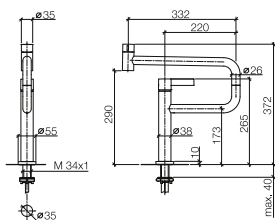
		Euro
polished chrome	90 23 01 026 03-00	32.70
platinum matt	90 23 01 026 03-06	50.20
platinum	90 23 01 026 03-08	50.20
brushed Durabron	90 23 01 026 03-28	86.00
Dark Platinum matt	90 23 01 026 03-99	64.50

33 845 875

Tara Ultra

PIVOT Single-lever mixer

- 552 mm projection
- pivotable spout 360°
- air-enriched flow
- max. flow 8 l/min at 3 bar flow pressure
- lead-free



Recommended miscellaneous

Dispenser with rosette

For details and miscellaneous, see page 090



Recommended miscellaneous

Strainer waste with control handle

For details and miscellaneous, see page 092

		Euro
polished chrome	33 845 875-00	1,111.00
chrome matt	33 845 875-93	1,333.20
platinum matt	33 845 875-06	1,777.50
platinum	33 845 875-08	1,777.50
Durabron	33 845 875-09	2,199.80
brushed Durabron	33 845 875-28	2,199.60
Dark Platinum matt	33 845 875-99	1,666.50

		Euro
polished chrome	82 434 970-00	240.50
chrome matt	82 434 970-93	288.60
platinum matt	82 434 970-06	384.70
platinum	82 434 970-08	384.70
Durabron	82 434 970-09	476.20
brushed Durabron	82 434 970-28	476.10
Dark Platinum matt	82 434 970-99	432.80

		Euro
polished chrome	10 710 970-00	155.60
chrome matt	10 710 970-93	186.70
platinum matt	10 710 970-06	248.90
platinum	10 710 970-08	248.90
Durabron	10 710 970-09	308.10
brushed Durabron	10 710 970-28	308.00
Dark Platinum matt	10 710 970-99	233.30

Rinsing sprays

Sieger Design



Adaptable, thorough and precise: the rinsing and Profi spray set helps with everyday chores at the most important workplace in the kitchen – the water point. The powerful spray flow is ideal for washing vegetables, fruit and meat. A meeting of discerning design and professional functionality. The sprays can be installed anywhere in the kitchen workspace and their neutral style makes them compatible with all the Dornbracht design series. This means additional functions in an extensive variety of combinations.

Detailed product information, appropriate files, dimensioned drawings and 3D objects can be found online at www.dornbracht.com.

27 721 970



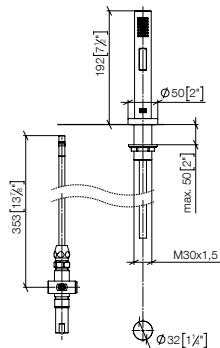
Rinsing spray set

- with round rosette
- spray flow
- automatic spout/shower diverter
- fabric braided hose 1500 mm
- sprayface with anti-scaling system
- lead-free

for combination with fittings in the TARA ULTRA, TARA, ELIO and META.02 series

Intrinsic protection against back flow.

		Euro
polished chrome	27 721 970-00	439.50
chrome matt	27 721 970-93	527.40
platinum matt	27 721 970-06	703.20
platinum	27 721 970-08	703.20
Durabronz	27 721 970-09	870.20
brushed Durabronz	27 721 970-28	870.20
Dark Platinum matt	27 721 970-99	659.30
matt black	27 721 970-33	593.40



27 722 970



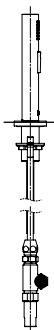
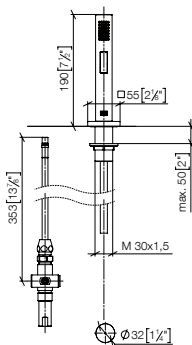
Rinsing spray set

- with angular rosette
- spray flow
- automatic spout/shower diverter
- fabric braided hose 1500 mm
- sprayface with anti-scaling system
- lead-free

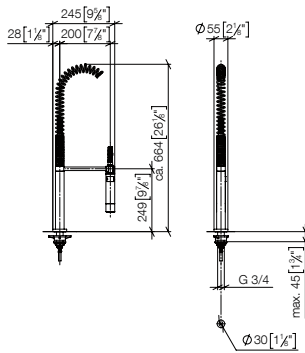
for combination with fittings in the LOT series

Intrinsic protection against back flow.

		Euro
polished chrome	27 722 970-00	476.60
chrome matt	27 722 970-93	571.90
platinum matt	27 722 970-06	762.50
platinum	27 722 970-08	762.50
Durabronz	27 722 970-09	943.60
brushed Durabronz	27 722 970-28	943.70
Dark Platinum matt	27 722 970-99	714.80



27 789 970



Profi spray set

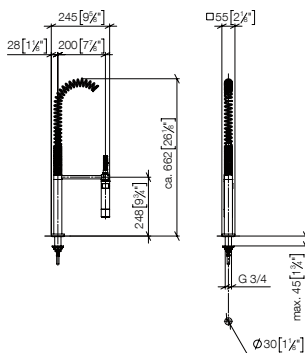
- spray flow
- automatic diverter for spout/Profi spray set
- sprayface with anti-scaling system
- lead-free

for combination with fittings in the TARA ULTRA, TARA, ELIO and META.02 series

Intrinsic protection against back flow.

		Euro
polished chrome	27 789 970-00	1,072.80
chrome matt	27 789 970-93	1,287.30
platinum matt	27 789 970-06	1,716.40
platinum	27 789 970-08	1,716.40

27 784 970



Profi spray set

- spray flow
- automatic diverter for spout/Profi spray set
- sprayface with anti-scaling system
- lead-free

for combination with fittings in the LOT series

Intrinsic protection against back flow.

		Euro
polished chrome	27 784 970-00	1,136.40
chrome matt	27 784 970-93	1,363.70
platinum matt	27 784 970-06	1,818.40
platinum	27 784 970-08	1,818.40

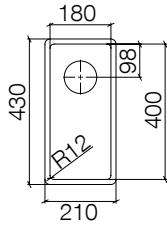
Polished stainless steel kitchen sinks



Detailed product information, appropriate files, dimensioned drawings and 3D objects can be found online at www.dornbracht.com.

Polished stainless steel kitchen sinks

38 180 003



Single sink

- under-mounted
- 180 x 400 mm
- sink depth 140 mm
- suitable for base units 350 mm
- radius 12 mm

Drain and overflow set not included in the scope of supply. See Required miscellaneous.

		Euro
polished high-grade steel	38 180 003-85	628.70



Required miscellaneous

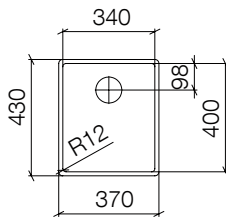
Pop-up waste and overflow closable by hand

- 3½" drain valve closable by hand

For details and miscellaneous, see page 094

		Euro
polished high-grade steel	10 415 003-85	116.70

38 340 003



Single sink

- under-mounted
- 340 x 400 mm
- sink depth 175 mm
- suitable for base units 400 mm
- radius 12 mm

Drain and overflow set not included in the scope of supply. See Required miscellaneous.

		Euro
polished high-grade steel	38 340 003-85	675.30



Required miscellaneous

Pop-up waste and overflow closable by hand

- 3½" drain valve closable by hand

For details and miscellaneous, see page 094

		Euro
polished high-grade steel	10 400 003-85	116.70



Required miscellaneous

Pop-up waste and overflow with knob

- 3½" strainer waste valve

For details and miscellaneous, see page 094

		Euro
polished high-grade steel	10 405 003-85	200.00



Required miscellaneous

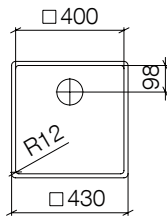
Pop-up waste and overflow with electronic control

- 3½" electronic drain valve (TouchFlow)

For details and miscellaneous, see page 094

		Euro
polished high-grade steel	10 410 003-85	242.90

38 400 003



Single sink

- under-mounted
- 400 x 400 mm
- sink depth 175 mm
- suitable for base units 450 mm
- radius 12 mm

Drain and overflow set not included in the scope of supply. See Required miscellaneous.

		Euro
polished high-grade steel	38 400 003-85	730.10



Required miscellaneous **Euro**

Pop-up waste and overflow closable by hand	polished high-grade steel	10 400 003-85	116.70
---	---------------------------	----------------------	---------------

- 3½" drain valve closable by hand
- For details and miscellaneous, see page 094



Required miscellaneous **Euro**

Pop-up waste and overflow with knob	polished high-grade steel	10 405 003-85	200.00
--	---------------------------	----------------------	---------------

- 3½" strainer waste valve
- For details and miscellaneous, see page 094

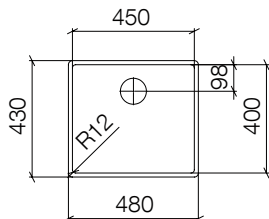


Required miscellaneous **Euro**

Pop-up waste and overflow with electronic control	polished high-grade steel	10 410 003-85	242.90
--	---------------------------	----------------------	---------------

- 3½" electronic drain valve (TouchFlow)
- For details and miscellaneous, see page 094

38 450 003



Single sink

- under-mounted
- 450 x 400 mm
- sink depth 175 mm
- suitable for base units 500 mm
- radius 12 mm

Drain and overflow set not included in the scope of supply. See Required miscellaneous.

		Euro
polished high-grade steel	38 450 003-85	758.60



Required miscellaneous **Euro**

Pop-up waste and overflow closable by hand	polished high-grade steel	10 400 003-85	116.70
---	---------------------------	----------------------	---------------

- 3½" drain valve closable by hand
- For details and miscellaneous, see page 094



Required miscellaneous **Euro**

Pop-up waste and overflow with knob	polished high-grade steel	10 405 003-85	200.00
--	---------------------------	----------------------	---------------

- 3½" strainer waste valve
- For details and miscellaneous, see page 094



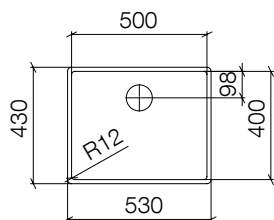
Required miscellaneous **Euro**

Pop-up waste and overflow with electronic control	polished high-grade steel	10 410 003-85	242.90
--	---------------------------	----------------------	---------------

- 3½" electronic drain valve (TouchFlow)
- For details and miscellaneous, see page 094

Polished stainless steel kitchen sinks

38 500 003



Single sink

- under-mounted
- 500 x 400 mm
- sink depth 175 mm
- suitable for base units 550 mm
- radius 12 mm

Drain and overflow set not included in the scope of supply. See Required miscellaneous.

		Euro
polished high-grade steel	38 500 003-85	778.80



Product alternative

Single sink

- installation, on top or flush

		Euro
polished high-grade steel	38 501 003-85	984.90



Required miscellaneous

Pop-up waste and overflow closable by hand

- 3½" drain valve closable by hand
- For details and miscellaneous, see page 094

		Euro
polished high-grade steel	10 400 003-85	116.70



Required miscellaneous

Pop-up waste and overflow with knob

- 3½" strainer waste valve

For details and miscellaneous, see page 094

		Euro
polished high-grade steel	10 405 003-85	200.00



Required miscellaneous

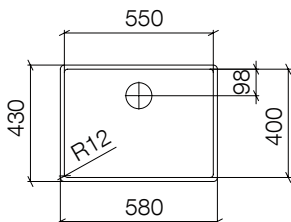
Pop-up waste and overflow with electronic control

- 3½" electronic drain valve (TouchFlow)

For details and miscellaneous, see page 094

		Euro
polished high-grade steel	10 410 003-85	242.90

38 550 003



Single sink

- under-mounted
- 550 x 400 mm
- sink depth 175 mm
- suitable for base units 600 mm
- radius 12 mm

Drain and overflow set not included in the scope of supply. See Required miscellaneous.

		Euro
polished high-grade steel	38 550 003-85	794.40



Product alternative

- Single sink**
- installation, on top or flush

		Euro
polished high-grade steel	38 551 003-85	1,002.80



Required miscellaneous

- Pop-up waste and overflow closable by hand**
- 3½" drain valve closable by hand

For details and miscellaneous, see page 094

		Euro
polished high-grade steel	10 400 003-85	116.70



Required miscellaneous

- Pop-up waste and overflow with knob**
- 3½" strainer waste valve

For details and miscellaneous, see page 094

		Euro
polished high-grade steel	10 405 003-85	200.00



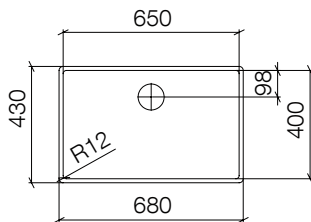
Required miscellaneous

- Pop-up waste and overflow with electronic control**
- 3½" electronic drain valve (TouchFlow)

For details and miscellaneous, see page 094

		Euro
polished high-grade steel	10 410 003-85	242.90

38 650 003



Single sink

- under-mounted
- 650 x 400 mm
- sink depth 175 mm
- suitable for base units 800 mm
- radius 12 mm

Drain and overflow set not included in the scope of supply. See Required miscellaneous.

		Euro
polished high-grade steel	38 650 003-85	865.80



Required miscellaneous

- Pop-up waste and overflow closable by hand**
- 3½" drain valve closable by hand

For details and miscellaneous, see page 094

		Euro
polished high-grade steel	10 400 003-85	116.70



Required miscellaneous

- Pop-up waste and overflow with knob**
- 3½" strainer waste valve

For details and miscellaneous, see page 094

		Euro
polished high-grade steel	10 405 003-85	200.00



Required miscellaneous

- Pop-up waste and overflow with electronic control**
- 3½" electronic drain valve (TouchFlow)

For details and miscellaneous, see page 094

		Euro
polished high-grade steel	10 410 003-85	242.90

Glazed steel kitchen sinks

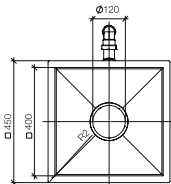
Sieger Design



Detailed product information, appropriate files, dimensioned drawings and 3D objects can be found online at www.dornbracht.com.

Glazed steel kitchen sinks Sieger Design

38 400 002



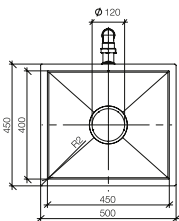
Single sink

- under-mounted
- 400 x 400 mm
- sink depth 175 mm
- Glazed steel sink and drain cover
- 3 1/2" closable strainer basket valve
- Including pop-up waste and overflow set
- attachment set
- suitable for base units 500 mm
- radius 2 mm

Not suitable for combining with strainer waste.

		Euro
matt white	38 400 002-62	907.40
matt black	38 400 002-71	907.40

38 450 002



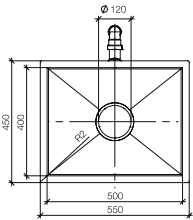
Single sink

- under-mounted
- 450 x 400 mm
- sink depth 175 mm
- Glazed steel sink and drain cover
- 3 1/2" closable strainer basket valve
- Including pop-up waste and overflow set
- attachment set
- suitable for base units 550 mm
- radius 2 mm

Not suitable for combining with strainer waste.

		Euro
matt white	38 450 002-62	1,009.40
matt black	38 450 002-71	1,009.40

38 500 002



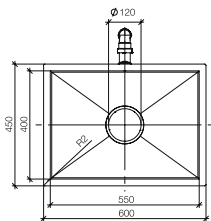
Single sink

- under-mounted
- 500 x 400 mm
- sink depth 175 mm
- Glazed steel sink and drain cover
- 3 1/2" closable strainer basket valve
- Including pop-up waste and overflow set
- attachment set
- suitable for base units 600 mm
- radius 2 mm

Not suitable for combining with strainer waste.

		Euro
matt white	38 500 002-62	1,111.50
matt black	38 500 002-71	1,111.50

38 550 002



Single sink

- under-mounted
- 550 x 400 mm
- sink depth 175 mm
- Glazed steel sink and drain cover
- 3 1/2" closable strainer basket valve
- Including pop-up waste and overflow set
- attachment set
- suitable for base units 650 mm
- radius 2 mm

Not suitable for combining with strainer waste.

		Euro
matt white	38 550 002-62	1,191.00
matt black	38 550 002-71	1,191.00

Accessories, miscellaneous sink / installation items



Detailed product information, appropriate files, dimensioned drawings and 3D objects can be found online at www.dornbracht.com.

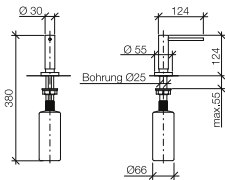
Accessories, miscellaneous sink/installation items

82 434 970



Dispenser with rosette

- 124 mm projection
- 500 ml bottle
- can be filled from the top
- rotating pump head



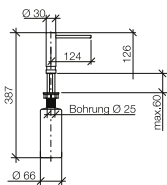
		Euro
polished chrome	82 434 970-00	240.50
chrome matt	82 434 970-93	288.60
platinum matt	82 434 970-06	384.70
platinum	82 434 970-08	384.70
Durabross	82 434 970-09	476.20
brushed Durabross	82 434 970-28	476.10
matt black	82 434 970-33	318.30
Dark Platinum matt	82 434 970-99	432.80

82 424 970



Dispenser without rosette

- 124 mm projection
- 500 ml bottle
- can be filled from the top
- rotating pump head
- width 30mm



		Euro
polished chrome	82 424 970-00	220.70
chrome matt	82 424 970-93	264.90
platinum matt	82 424 970-06	353.10
platinum	82 424 970-08	353.10
Durabross	82 424 970-09	436.90
brushed Durabross	82 424 970-28	436.90
Dark Platinum matt	82 424 970-99	397.20
matt black	82 424 970-33	297.90

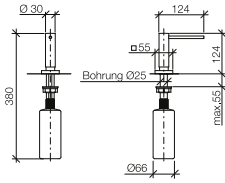
82 439 970



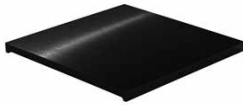
Dispenser with rosette

- 124 mm projection
- 500 ml bottle
- can be filled from the top
- rotating pump head

		Euro
polished chrome	82 439 970-00	275.00
chrome matt	82 439 970-93	330.00
platinum matt	82 439 970-06	431.30
platinum	82 439 970-08	431.30
Durabrass	82 439 970-09	544.50
brushed Durabrass	82 439 970-28	544.60
Dark Platinum matt	82 439 970-99	495.10



84 700 000

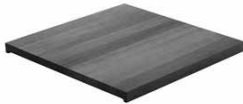


Cutting board

- plastic 440 x 440 x 30mm
- non-slip
- kind to knives
- dishwasher-safe
- for placing over the sink
- pack with colour marking pegs (black, red, blue, green, yellow)
- can be combined with all Water Units

		Euro
black	84 700 000-13	262.90

84 700 000



Cutting board

- wood 440 x 440 x 30mm
- oiled oak
- non-slip
- kind to knives
- not dishwasher-safe
- for placing over the sink
- pack with colour marking pegs (black, red, blue, green, yellow)
- can be combined with all Water Units

		Euro
oak	84 700 000-48	395.50

84 700 001



Preparation board

- plastic 432 x 220 x 28mm

		Euro
matt white	84 700 001-10	123.40

Accessories, miscellaneous sink/installation items

84 700 001

Preparation board
 • glass 220 x 415 x 16 mm

Glass

84 700 001-81

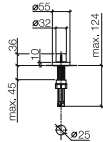
Euro

123.40



10 710 970

Strainer waste with control handle
 • control for single basin
 • including adapter for Bowden cable

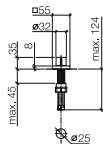


Euro

polished chrome	10 710 970-00	155.60
chrome matt	10 710 970-93	186.70
platinum matt	10 710 970-06	248.90
platinum	10 710 970-08	248.90
Durabross	10 710 970-09	308.10
brushed Durabross	10 710 970-28	308.00
Dark Platinum matt	10 710 970-99	233.30
matt black	10 710 970-33	210.10

10 711 970

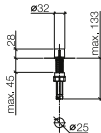
Strainer waste with control handle
 • control for single basin
 • including adapter for Bowden cable



Euro

polished chrome	10 711 970-00	155.60
chrome matt	10 711 970-93	186.70
platinum matt	10 711 970-06	248.90
platinum	10 711 970-08	248.90
Durabross	10 711 970-09	308.10
brushed Durabross	10 711 970-28	308.00
Dark Platinum matt	10 711 970-99	233.30
matt black	10 711 970-33	210.10

10 712 970

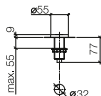


Strainer waste with control handle

- control for single basin
- including adapter for Bowden cable

		Euro
polished chrome	10 712 970-00	155.60
chrome matt	10 712 970-93	186.70
platinum matt	10 712 970-06	248.90
platinum	10 712 970-08	248.90
Durabrand	10 712 970-09	308.10
brushed Durabrand	10 712 970-28	308.00
Dark Platinum matt	10 712 970-99	233.30
matt black	10 712 970-33	210.10

10 713 970



AIR SWITCH Control button

- for controlling a waste disposal unit

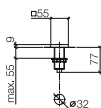
Compatible with waste disposal units with integrated air switch made by Insinkerator®, e.g. Evolution.

The products are not available in all markets, please contact your Dornbracht sales force.

For more information go to www.insinkerator.com

		Euro
polished chrome	10 713 970-00	109.50
chrome matt	10 713 970-93	131.40
platinum matt	10 713 970-06	175.20
platinum	10 713 970-08	175.20
Durabrand	10 713 970-09	216.80
brushed Durabrand	10 713 970-28	216.90
Dark Platinum matt	10 713 970-99	164.30
matt black	10 713 970-33	147.80

10 714 970



AIR SWITCH Control button

- for controlling a waste disposal unit

Compatible with waste disposal units with integrated air switch made by Insinkerator®, e.g. Evolution.

The products are not available in all markets, please contact your Dornbracht sales force.

For more information go to www.insinkerator.com

		Euro
polished chrome	10 714 970-00	109.50
chrome matt	10 714 970-93	131.40
platinum matt	10 714 970-06	175.20
platinum	10 714 970-08	175.20
Durabrand	10 714 970-09	216.80
brushed Durabrand	10 714 970-28	216.90
Dark Platinum matt	10 714 970-99	164.30

Accessories, miscellaneous sink/installation items

10 400 003



Pop-up waste and overflow closable by hand

- 3½" drain valve closable by hand
- concealed overflow
- strainer insert

Only suitable for combining with polished high-grade steel kitchen sinks.

polished high-grade steel

10 400 003-85

Euro

116.70

10 415 003



Pop-up waste and overflow closable by hand

- 3½" drain valve closable by hand
- concealed overflow
- strainer insert
- suitable for sink 38 180 003

Only suitable for combining with polished high-grade steel kitchen sinks.

polished high-grade steel

10 415 003-85

Euro

116.70

10 405 003



Pop-up waste and overflow with knob

- 3½" strainer waste valve
- pull knob with Bowden cable
- concealed overflow
- strainer insert

Only suitable for combining with polished high-grade steel kitchen sinks.

polished high-grade steel

10 405 003-85

Euro

200.00

10 410 003



Pop-up waste and overflow with electronic control

- 3½" electronic drain valve (TouchFlow)
- button integrated in overflow
- concealed overflow
- strainer insert

Only suitable for combining with polished high-grade steel kitchen sinks.

polished high-grade steel

10 410 003-85

Euro

242.90

84 800 001

**Strainer bowl perforated**

- polished stainless steel 175 x 395 x 80 mm

polished high-grade steel

84 800 001-85**Euro****85.20**

84 801 001

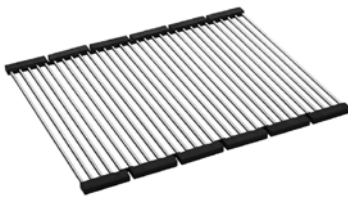
**Strainer bowl unperforated**

- polished stainless steel 175 x 395 x 80 mm

polished high-grade steel

84 801 001-85**Euro****85.20**

84 711 001

**Stainless steel pad**

- brushed stainless steel 480 x 448 x 11 mm

matt high-grade steel

84 711 001-86**Euro****101.30**

12 715 970

**Cover for tap hole**

polished chrome

12 715 970-00**Euro****34.60**

chrome matt

12 715 970-93**41.50**

platinum matt

12 715 970-06**55.40**

platinum

12 715 970-08**55.40**

Durabrass

12 715 970-09**68.70**

brushed Durabrass

12 715 970-28**68.70**

Dark Platinum matt

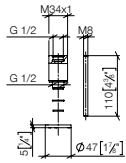
12 715 970-99**62.50**

matt black

12 715 970-33**46.90**

Accessories, miscellaneous sink/installation items

12 802 970



Extension set

- for clamping depths > 45 mm to max. 85 mm

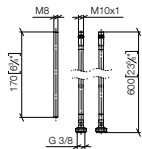
For combination with two-hole mixer 32800680, 32805680, 32843680, 32800790 only.

12 802 970 90

Euro

52.40

12 803 970



Extension set

- for clamping depths > 45 mm to max. 85 mm

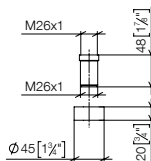
For combination with single-lever mixer 33800790, 33800875, 33816875, 33818875, 33810625, 33820625, 33800888, 33815888, 33805875, 33800760.

12 803 970 90

Euro

66.60

12 845 970 90



Extension set

- for clamping depths > 45 mm to max. 85 mm

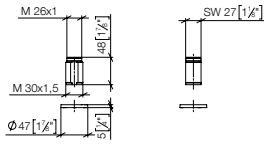
For combination with single-lever mixer 33845875.

12 845 970 90

Euro

52.40

12 720 970



Extension set

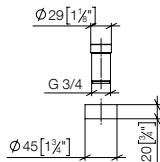
- for clamping depths > 45 mm to max. 85 mm
- For combination with rinsing spray set 27721970, 27722970 only.**

12 720 970 90

Euro

44.40

12 780 970



Extension set

- for clamping depths > 45 mm to max. 85 mm
- For combination with Profi spray set 27784970, 27789970 only.**

12 780 970 90

Euro

44.40

Concealed body



Detailed product information, appropriate files, dimensioned drawings and 3D objects can be found online at www.dornbracht.com.

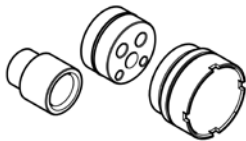
12 869 970

Extension 20 mm

- up to 20 mm: 1 x 12 869 970 90
- 21 mm - 40 mm: 2 x 12 869 970 90

for 35 860 970 90

Can only be combined with exposed trim parts
36 86X SSS-FF.



12 869 970 90 **Euro** 171.10

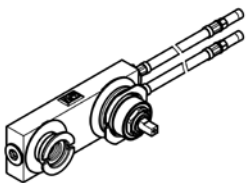
35 816 970

Concealed wall-mounted single-lever mixer mixer on right

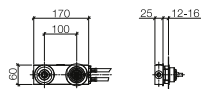
- 2x female thread 1/2" connections
- 2x 1/2" x 1000mm high pressure hose
- 1x female thread 1/2" outlet for wall spout
- cartridge
- gauge 100 mm
- lead-free

Recommended combination for this fitting:Rear walls with- wall thickness: 12-16 mm- spout hole diameter: 40 mm- mixer hole diameter: 58 mm-clear width behind wall: 25 mm

NOTE:Not suitable for concealed installation.
Connection by means of angle valves, mounted with screws to back wall.



Concealed rough parts **35 816 970 90 Euro** 310.30

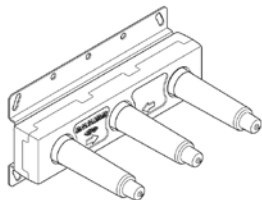


35 700 970

NEW

Concealed wall-mounted mixer Centred spout

- 3x dust cover
- 2x female thread 1/2" connections
- 1x female thread 1/2" outlet
- 3x sealing plug 1/2"
- gauge 100 mm
- lead-free



Concealed rough parts **35 700 970 90 Euro** 155.60



Recommended miscellaneous

Leak protection 1/2"

This article is needed 2x.

For details and miscellaneous, see page 102

Leak protection **12 010 970 90 Euro** 51.00

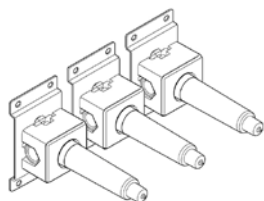
Concealed body

35 720 970

NEW

Concealed wall-mounted mixer variable positioning

- red brass, lead-free
- 1/2" connection
- 3x sealing plug 1/2"
- 3x dust cover



Concealed rough parts

35 720 970 90

Euro

124.10

Recommended miscellaneous



Leak protection 1/2"

For details and miscellaneous, see page 102

Leak protection

12 010 970 90

Euro

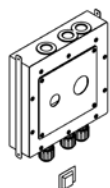
51.00

39 807 970

Drybox

Drybox Wall-mounted single-lever basin mixer Mixer on right/left/or above

- Dimensions 300 x 300 x 80 mm
- brushed stainless steel cover
- stainless steel casing
- Overflow is part of the scope of delivery.



Drybox

39 807 970 90

Euro

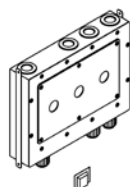
493.40

39 708 970

Drybox

Drybox Wall-mounted basin mixer Centred spout

- Dimensions 400 x 300 x 80 mm
- brushed stainless steel cover
- stainless steel casing
- Overflow is part of the scope of delivery.



Drybox

39 708 970 90

Euro

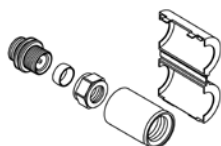
664.00

12 010 970

Drybox

Leak protection 1/2"

- rubber sleeve
- plastic cap
- conical nut 1/2" with cutting ring for 15 mm PEX pipe
- coupling, male thread 1/2" x male thread 1/2"



Leak protection

12 010 970 90

Euro

51.00

29 020 970

Drybox

Single holder for 12 mm and 15 mm copper pipes



29 020 970 90

Euro

79.70

29 021 970

Drybox

Single holder for 16 mm AluPEX pipes

29 021 970 90

Euro

79.70



29 022 970

Drybox

Single holder for 15 mm PEX pipes

29 022 970 90

Euro

91.70



Designs

Functions

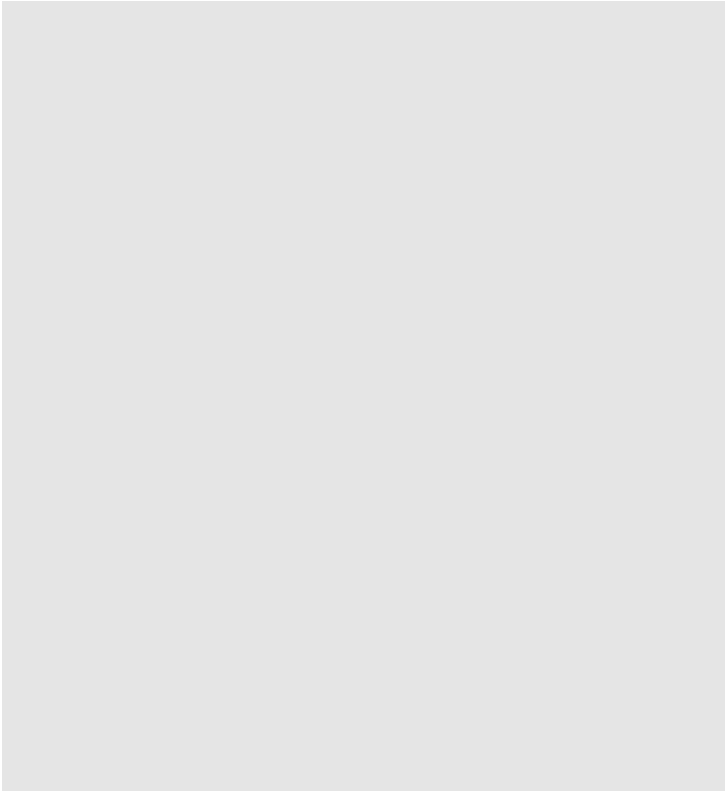
Kitchen sinks

Accessories, miscellaneous sink/
installation items

Concealed body

General information

General information



Customisation of your Dornbracht fittings and accessories

From its very inception, Dornbracht, the fittings manufacturer, has never been a fittings manufacturer in the conventional sense. Our history now extends for over 60 years, during which we have abandoned the conventional routes time and again and have established ourselves with the reputation of a specialist for high quality and, above all, individual fittings and accessories for the bathroom and kitchen. With each of our fittings we also document our fascination for perfect manufacturing work. We use traditional craftsmanship as the basis for the very highest quality possible today – a combination of function, form and quality production for every single product design. Work at Dornbracht is not so much a matter of mechanics, but more a matter of mental or even emotional qualities. Every individual employee must be in love with every single one of our fittings, because that is the only way we can explain their great attention to detail and their continuous search for an even more perfect solution, that is a particular characteristic of our x-TRA SERVICE department. Many clever, precisely coordinated steps result in the aforementioned products that our customers expect from us.

Special production

If, when the kitchen is being planned, it emerges that the size of a fitting or an accessory is not a perfect fit for the architecture, our x-TRA SERVICE can make extensions and reductions, provided this is technically feasible.

Special finishes

Even if a certain finish is not listed in the catalogue for a Dornbracht fitting, the x-TRA SERVICE can refine every series in every finish and colour featured in the latest Dornbracht programme. Additional finishes and colours can be implemented on request, if production proves viable.

Surface finishing

To ensure that even the products not supplied by Dornbracht match the chosen fitting in the kitchen, the x-TRA SERVICE provides a finish refinement service. These products are then given the same finish as the fitting from the current product programme. This service is often also used for renovating kitchens using existing fitting elements.

Maintaining the value

To maintain our customers' pleasure in their Dornbracht classics for as long as possible, the x-TRA SERVICE offers the complete restoration of function and individual finishing for fittings which are no longer available, up to ten years after the series has been discontinued. For example, if the finish is dull and scratched, it will be ground, polished and galvanised until it gleams as good as new.

Special labelling

Our x-TRA SERVICE can personalise our products with special labelling, irrespective of quantity.



Services

Sales team

Personal advice and guidance on all commercial matters.
Intensive support covering every aspect of selling.

Phone +49 (0) 2371 433-460

Fax +49 (0) 2371 433-135

Fax +49 (0) 2371 433-5506

Fax +49 (0) 2371 433-5507

E-Mail mail@dornbracht.com

x-tra Service

Individual made-to-order productions and special finishes to suit your need.

Phone +49 (0) 2371 433-460

E-Mail mail@dornbracht.com

Spare part service

Phone +49 (0) 2371 433-460

E-Mail mail@dornbracht.com

You can contact our Service Centre from Monday to Thursday between 07:00 to 18:00 and on Fridays between 07:00 and 15:30.

Terms and Conditions of Sale, Delivery and Payment

1. General

1.1. The following terms apply exclusively to all our quotations, sales and deliveries both now and in the future. We do not accept purchasers' terms of business which conflict with or differ from our Terms and Conditions unless we have expressly agreed to them in writing. This also applies in cases where we execute in the knowledge of the conflicting or differing Terms and Conditions of the purchaser or a third party delivery to the purchaser unconditionally or refer to a letter or document of the purchaser containing conflicting or differing Terms and Conditions of the latter or of a third party or refer to them without objecting to the Terms and Conditions concerned. Differing arrangements apply only to a specific contract and not to subsequent contracts, save where expressly otherwise agreed.

1.2. All agreements, subsidiary agreements and contractual amendments must be made in writing. To be effective, verbal or written agreements deviating from our contractual conditions and/or the order confirmation must be approved by the proper number of directors or authorised officers. Our office staff or field staff are not authorised to make differing agreements or grant special conditions.

2. Information, advice

Information and advice given on our products are based on our previous experience. The figures quoted are average values found. Information and advice do not obviate the need for acceptance tests on goods supplied or compliance with processing instructions. Information given verbally is not binding.

3. Quotation, contract signature

3.1. Our quotations are made without engagement. A supply contract or other contract becomes binding on us only when we have confirmed the customer's order or other order in writing or have delivered the goods.

3.2. Samples and specimens are supplied without engagement for inspection purposes. A purchase according to sample and/or specimen is subject to commercially acceptable deviations or those falling within normal manufacturing tolerances. Unless expressly specified in the order confirmation, the supply of patterns or samples does not constitute a guarantee of quality or service life.

3.3. Samples and specimens must be returned to us in perfect condition within 4 weeks. If they are not returned within this period we shall be entitled to charge the list purchase price. Price lists are available on request at any time.

3.4. Save where expressly otherwise agreed, the information provided by us in text or illustrated form (e.g. descriptions, illustrations or drawings) in catalogues, brochures or other publications conclusively define the quality of the goods we supply and their potential applications. The information we provide is not a guarantee of service life or quality and corresponds to our current state of knowledge. We accept no liability for successful use.

4. Prices

4.1. All prices agreed are net exclusive of VAT, which the purchaser must pay at the relevant statutory rate.

4.2. A minimum quantity surcharge of € 5.00 will be made on orders with a net merchandise value of under € 50.00.

4.3. If there is any increase in our sundry material procurement costs, energy costs or labour costs/incidental wage costs between the date of order confirmation and the date of delivery, we shall be entitled to adjust the agreed price accordingly. The purchaser will be entitled to cancel the contract with immediate effect if the price rise exceeds 5 %, but no later than within 10 days of the price increase becoming known to purchaser.

5. Delivery

5.1. The delivery periods will begin on the date of our order confirmation, but not before any agreed down payment has been received, all of the purchaser's other obligations have been duly and punctually fulfilled and not before all the order details have been finally clarified, the requisite certificates procured and/or all necessary documents provided. The delivery period

is deemed to have been met if the goods have left our factory or warehouse before this period has expired, or have been notified as ready for delivery but cannot then be forwarded on time for reasons beyond our control. Delivery dates are deemed to be approximate where there is no provision to the contrary and do not constitute a fixed transaction without a specific agreement to this effect. The purchaser is to inform us no later than at the time of conclusion of contract of any contractual default penalties that may be due vis-à-vis his customer in case of late delivery. Without such prior notification, the purchaser may not assert vis-à-vis us any claims arising from contractual default penalties he may incur.

5.2. When a delivery date not expressly designated as „fixed“ in the order confirmation is overrun, the purchaser may set a reasonable extension period for delivery. We can only be in default on expiry of this extension period.

5.3. Without prejudice to our rights arising from delays in payment by the purchaser, delivery dates will be extended by the period of time that the purchaser fails to honour his obligations towards us.

5.4. We reserve the right to make proper and timely self-supply if irregular self-supply is beyond our control.

5.5. Unforeseen, exceptional circumstances beyond our control such as strikes, lock-outs and other industrial action, operational breakdown e.g. due to fire and similar occurrences, difficulties in the sourcing of materials and energy, lack of labour resources, energy and raw materials, government action, transport disruption, difficulties in the obtaining of permits with specific regard to import and export licences or other instances of force majeure beyond our control and area of influence, irrespective of whether we or our suppliers are affected by such circumstances or whether they occur during an ongoing delay, the period of delivery is to be extended by the duration of the disruption in addition to a reasonable start-up period. Should the delay/disruption not be of a temporary nature and should delivery subsequently become impossible or compliance with the contract unreasonable for one party as a result, either party will be entitled to terminate the contract. Claims for compensation are excluded in such cases where neither party is to blame.

5.6. Our liability for loss due to delay arising from slightly negligent breach of duty is excluded, save where the breach of duty results in damage to life, limb or health. A change in the burden of proof to the disadvantage of the purchaser has no connection with this provision.

5.7. Should liability for loss due to delay arise not only from slightly negligent breach of duty, the purchaser may, insofar as he proves the existence of damage due to delay and subject to the exclusion of further claims, only claim compensation amounting to 0.5 % for each full week of delay, up to a maximum of 5 % in total, of the value of that part of the total delivery which owing to the delay could not be used on time or for its contractual purpose.

5.8. We shall be entitled to make part deliveries where acceptable to the purchaser. Part deliveries may be invoiced separately.

6. Forwarding, passage of risk

6.1. Delivery will be ex works (Iserlohn) unless otherwise agreed. If Incoterms have been agreed as delivery terms, the version applicable on the date of contract signature shall apply.

6.2. If at the purchaser's request the goods have been forwarded to a place other than the place of performance, the purchaser will meet all the costs thereby incurred. The choice of transit route and carrier will be at our discretion. We and the carrier must be notified in writing by the purchaser of the type and extent of any transit damage immediately on receipt of the goods. Goods will only be insured against damage, loss or breakage in transit at the purchaser's express request and at his expense.

6.3. Forwarding and transportation are always at the purchaser's risk when goods are supplied ex works. This is also applicable if we make delivery to a third party (drop shipment deliveries) and when goods or empties (reusable packaging) are returned. Even when part deliveries are made, the risk will pass to the purchaser as soon as the consignment has been transferred to the carrier or has left our warehouse for forwarding or, in the case of delivery ex works, has left our plant.

6.4. For drop shipment deliveries we add a surcharge of 10% on the net value of the goods.

6.5. If forwarding is delayed due to circumstances for which the purchaser is responsible, or if the purchaser himself is arranging transportation, the risk will pass to the purchaser on notification that the goods are ready for dispatch. The purchaser must meet storage charges incurred after the passage of risk. The monthly storage charge for goods stored to our factory or warehouse will be 0.5% of the invoiced amount. We reserve the right to make higher storage charges subject to proof. Once a reasonable period of time has elapsed to no effect, we shall be entitled to otherwise dispose of the goods and to supply the purchaser within a reasonably extended period.

7. Payment

7.1. Payment must be made in Euro (€) and must be free of charges and postage. It must be remitted only to the bank indicated by us. Checks will only be valid as payment after encashment and are accepted without obligation for due presentation and protestation.

7.2. Unless expressly otherwise agreed, invoices must be paid within 10 days of the invoice date at a 2 % discount and within 30 days of the invoice date with no deduction. There will be no discount entitlement if previous outstanding invoices remain unpaid.

7.3. When the period allowed for payment has been exceeded we shall be entitled to charge interest at 8 % p.a. above the basic interest rate (Section 247 of the German Civil Code [BGB]). All our outstanding accounts will also become due immediately.

7.4. The offsetting of any counterclaims by the purchaser is permissible only if such counterclaims are undisputed or established in law. The purchaser may at most withhold a sum amounting to three times the cost of subsequent performance due to deficiency. When exercising his right of retention the purchaser agrees to pay us security of our choice to the amount of the unpaid portion by bank guarantee or by depositing it with a notary of his choosing, whichever we choose.

8. Reservation of title

8.1. All goods delivered shall remain our property (reserved-title goods) pending settlement of all outstanding accounts on any legal grounds whatsoever, including all future and conditional claims arising from contracts signed simultaneously or subsequently. The same shall apply if payments are made on specially designated accounts outstanding. Should there be justifiable grounds for assuming that a purchaser is unable to pay or that such inability is impending, we shall be entitled to terminate the contract without notice and to demand restitution of the goods.

8.2. Reserved-title goods are manufactured and processed on our behalf as manufacturers in accordance with Section 950 BGB without incurring any obligation on our part. Processed goods are deemed to be reserved-title goods as defined in para. 8.1. If the reserved-title goods are processed, interconnected, mingled or mixed with supplied goods by the purchaser, we shall be entitled to co-ownership of the new goods to the ratio of the invoice value of the reserved-title goods. Should our title cease as a result of the combination or inclusion, the purchaser agrees with immediate effect to assign to us his title or expectant rights in the new goods or object to the extent of the invoice value of the reserved-title goods and to retain same on our behalf at no charge. The co-ownership rights at issue shall be deemed to be reserved-title goods as defined in para. 8.1.

8.3. The purchaser may sell on, process or combine the reserved-title goods with other items or otherwise install them (resale) only as part of his normal business operations and as long as he is not in default. He shall not be entitled to dispose of the reserved-title goods in any other manner. We must be informed immediately of any third party seizure or other access to the reserved-title goods.

8.4. The purchaser agrees with immediate effect to assign to us his claims arising from the resale of the reserved-title goods. These rights shall be considered as security to the same extent as the reserved-title goods. The purchaser will only be entitled and authorised to resell on the assurance that the claims thereby owed him are transferred to us.

8.5. If the reserved-title goods are sold by the purchaser at an inclusive price together with third-party

goods, the claims arising from the sale shall be assigned to us in the same ratio as the invoice value of our reserved-title goods sold in each case.

8.6. If the claim assigned is included in a current account, the purchaser hereby assigns to us a part of the balance corresponding to the amount of this claim inclusive of the final balance from the current account.

8.7. The purchaser will be entitled to collect the claim assigned us until such time as we revoke. We shall be entitled to revoke if the purchaser fails to meet his payment obligations arising from the business transactions with us or if we become aware of circumstances likely to substantially lessen the purchaser's credit worthiness. If the conditions are such that we wish to exercise our right to revoke, the purchaser must on request inform us forthwith of the claims assigned and the debtors thereof, provide all the information necessary to collect the debt, hand over the associated documents to us and notify the debtor of the assignment. The buyer is not authorised to assign any claims, not even on the basis of our direct debit authorisation.

8.8. Should the realizable value (invoice amount of goods or nominal amount of the receivables) exceed 50% of the securities existing for us, we are obliged to release securities of our own choice upon the purchaser's demand.

8.9. Our assertion of reservation of title shall not constitute revocation of the contract unless we expressly state this in writing. The purchaser's right to own the reserved-title goods shall lapse if he fails to perform his obligations under this or any other contract.

9. Liability for faulty goods

9.1. We do not accept liability for unsuitable or improper use, particularly excessive loading, faulty assembly or faulty operation by the purchaser or third parties, natural wear and tear, faulty or negligent usage or handling, particularly by untrained staff.

9.2. The purchaser agrees to inspect deliveries carefully for completeness and adequacy immediately on receipt – even if patterns or samples were previously supplied. The delivery is deemed to have been accepted if a deficiency has not been reported to us by letter, telex or fax within 10 working days of the goods arriving at their destination, or, if the deficiency could not be found during proper inspection, within 10 working days of discovering same. This also applies to multiple deliveries. A multiple delivery is deemed to have been accepted if no complaint is lodged within 10 days of the goods arriving at their destination. Our field staff are not authorised to acknowledge quantity or deficiency complaints.

9.3. A purchaser accepting faulty goods knowing them to be defective shall only be entitled to the claims and rights in respect of deficiencies if he reserves the right to these by reason of deficiency on acceptance.

9.4. We guarantee to meet the purchaser's claims for defective goods for a period of two years, starting with the date of each delivery. This will not affect liability for defects in title under statutory regulations. The liability for losses contingent on defects shall be governed by para. 10.

9.5. Where there are grounds for complaint, the purchaser will initially only have a claim to subsequent performance which we may effect as we deem fit, either by repair or by supplying a defect-free item. If subsequent performance fails or is unacceptable or dispensable to the purchaser (Section 440 BGB), the purchaser will have the right to reduce the purchase price or, if he so chooses, to revoke the contract or to demand damages in place of performance or reimbursement of wasted expenditure in accordance with para. 10 because

- a) we finally refuse subsequent performance,
- b) we do not effect subsequent performance on a contractually agreed date or within a specific period and in the contract the purchaser has bound the continuance of his interest in performance to the timely delivery of performance,
- c) there are special circumstances which justify immediate cancellation on a consideration of the interests of both parties (Section 323 para. 2 BGB).

9.6. Where we deem it necessary to effect repairs or replacement deliveries, the purchaser shall allow us sufficient time and opportunity for such repairs or

replacement deliveries, otherwise our liability for the deficiency shall be deemed to have been discharged. Only in urgent cases of risk to operating safety or to avert considerable damage, in which case we must be informed immediately, or when we are late in rectifying the defect shall the purchaser have the right to remedy the defect himself or have it remedied by a third party and to demand compensation of the requisite cost from us.

9.7. Our manufacturer's warranty is regulated in the respective applicable warranty conditions. You can find it under www.dornbracht.com.

10. Liability for damages

10.1. We accept liability for damages arising from injury to life, limb or health and in accordance with the Product Liability Act pursuant to the relevant statutory provisions.

10.2. Our liability for breach of duty and our non-contractual liability shall, moreover, be limited to malicious intent and gross negligence. Liability for gross negligence by our non-senior employees, staff and vicarious agents is hereby limited to the level of contractually typical, foreseeable damage, the occurrence of which we could have expected at the time of conclusion of contract on the basis of the circumstances known to us at the given time to the exclusion of damage not incurred directly by the object of delivery such as and above all the lack of economic success, lost profit, indirect damage, consequential damage due to a given defect and third-party claims.

10.3. The above limitation of liability pursuant to para. 10.2. does not apply to the breach of duties material to contract (cardinal duties). The latter are those duties compliance with which permits proper and due fulfillment of contract at all and in the compliance with which the contracting party trusts and is entitled to trust. In this case, even in the event of slight negligence, we shall be liable for our own negligence and that of our employees, staff or vicarious agents, limited however to the level of contractually typical, foreseeable damage, the occurrence of which we could have expected at the time of conclusion of contract on the basis of the circumstances known to us at the given time.

10.4. The above limitations on liability apply equally to claims for the reimbursement of wasted expenditure (Section 284 BGB).

10.5. Claims against us for damages on any legal grounds whatsoever shall become statute-barred within two years of the statutory commencement of the limitation period.

10.6. A shift in the burden of proof to the disadvantage of the purchaser is not connected with the above provisions.

11. Returned goods

The reconsignment of goods sold or the reversal of the contract are only admissible in exceptional cases and upon our explicit prior consent, except in the cases stated in these Terms and Conditions. Goods sent back without our consent will be rejected, respectively returned to the Buyer freight forward. Reconsigning goods as described above always go at the Buyer's risk and account. When reimbursing the value of reconsigning goods, we will charge handling expenses amounting to 25% of the net value of the goods and make deductions according to the usability of the goods.

12. Data Protection / Confidentiality Agreement

12.1. We process and use personal data under consideration of applicable data protection law. The processing and use is effected for the purpose of fulfillment of our services rendered to the purchaser. In this context it might be necessary to transfer the data to third parties, for example to the data processing center being employed by us, logisticians or collection agencies. Furthermore, an exchange of data might occur within our company group. If necessary, we will obtain the required consent for the processing of the data from the purchaser. Further information with regard to the handling of data can be gathered from our data protection policy which is available in the internet under www.dornbracht.com. In addition, our data protection officer will be at your disposal for any questions.

12.2. The purchaser is obliged to keep the content of our offer / the agreement or other confidential

information respectively company and business secrets in strict confidence. Those information may only be disclosed to third parties if this is legally compulsory or if we have given our prior written consent. Information known to the purchaser prior to the receipt of our offer or publicized prior to or after conclusion of the contract without our or the purchaser's involvement are not regarded as confidential information.

13. Place of performance, court of jurisdiction, applicable law

13.1. The place of performance for the obligations of either party under this contract shall be Iserlohn.

13.2. Any disputes involving registered merchants shall exclusively be settled before a competent court of law having jurisdiction for our headquarters. We shall, however, be entitled to bring an action against the purchaser at another legal place of jurisdiction.

13.3. The relationship between ourselves and the purchaser shall be governed by German law to the exclusion of the United Nations Convention on the International Sale of Goods (CISG) and the provisions of international patent law.

13.4. Should subsequent circumstances cause individual provisions of these Terms and Conditions to be or become invalid, this shall not affect the validity of the remaining provisions.

Issued November 2021

Dornbracht AG & Co. KG
Köbbingser Mühle 6
D-58640 Iserlohn
Phone +49 (0) 2371 433-460
Fax +49 (0) 2371 433-135
mail@dornbracht.com
dornbracht.com



03.2022

