

THE OFFICE KITCHEN -
SAVE MONEY WITH
GROHE BLUE® AND
GROHE RED™

GROHE.COM

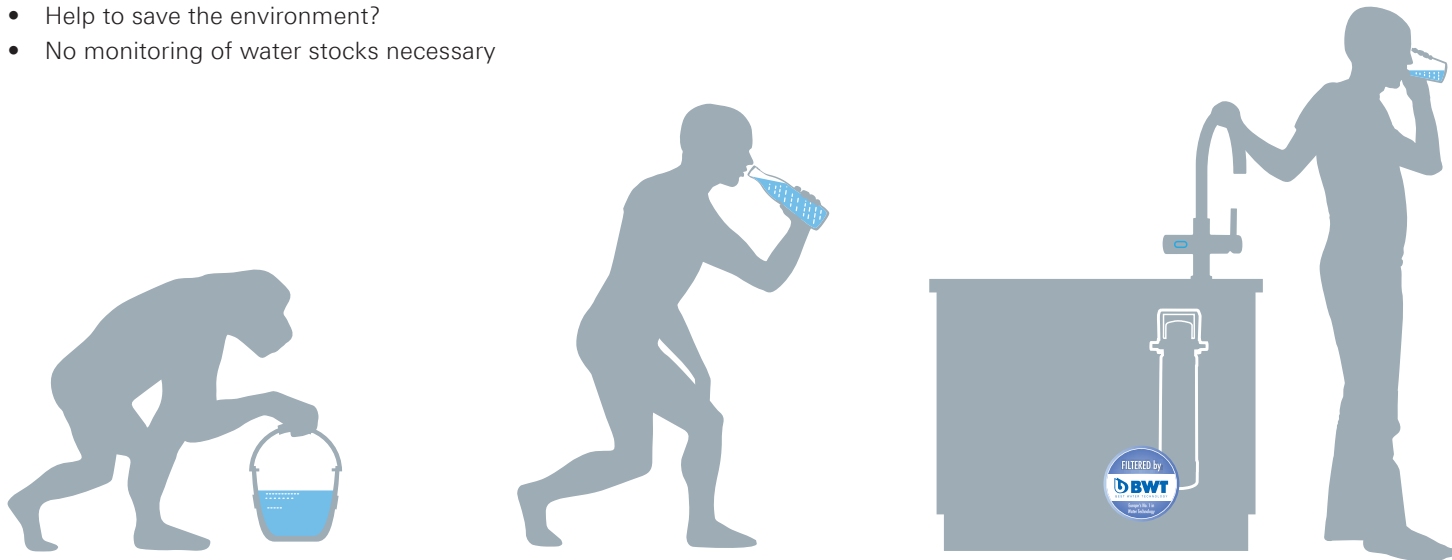
Pure Freude an Wasser

GROHE
WAVE



GROHE BLUE® THE EVOLUTION OF DRINKING WATER

- Fresh, cooled water for the whole team
- Saving space and costs
- Optimizing my companies CO2 balance
- Help to save the environment?
- No monitoring of water stocks necessary



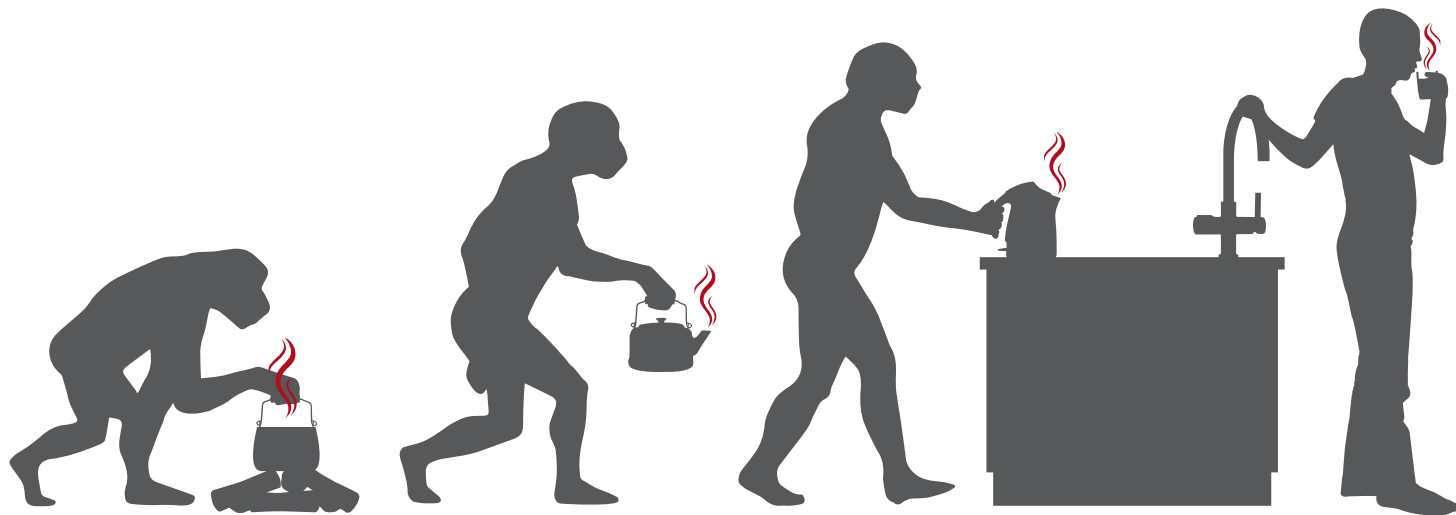
GROHE Blue®
Filtered, cooled and
carbonated water.

Cold and hot
mixed water.



GROHE RED™ THE EVOLUTION OF BOILING WATER

- Boiling water!
- Immediately, when you need it!
- As much as is required!



GROHE Red™
Boiling water

Hot and cold
mixed water.

GROHE BLUE® TASTES GOOD.

GROHE Blue® purifies the water, chills it to the desired drinking temperature (6 - 10°C) and serves it as still, lightly sparkling or sparkling water.

Representative tests prove: GROHE Blue® tap water tastes better than three leading still mineral water brands.

The patented, innovative BWT Mg²⁺ technology marks a milestone in water technology. It forms the basis of the GROHE Blue® filter, using a 5-stage process that not only softens the water and removes any unwanted particles but also enriches it with magnesium.



OPERATION, CARBONATION. EASY WITH GROHE BLUE®.

Fresh, cooled water can be yours from the fitting with a single turn of the left handle of the new GROHE Blue®. The first setting does not add any carbonic acid, the second setting adds just a little carbonic acid and the third setting adds more carbonic acid.

An LED indicator continuously indicates the filter capacity. For convenience, it indicates when the filter needs to be changed. The water temperature can also be set to your personal taste: the cooling can be individually regulated between 6°C and 10°C.

Turn the right lever on the fitting for ordinary mixed water for domestic use.

GROHE BLUE® CARBONATION LEVELS

BLUE:
Still water



TURQUOISE:
Medium sparkling water



GREEN:
Sparkling water



The most precious resource in the safest hands

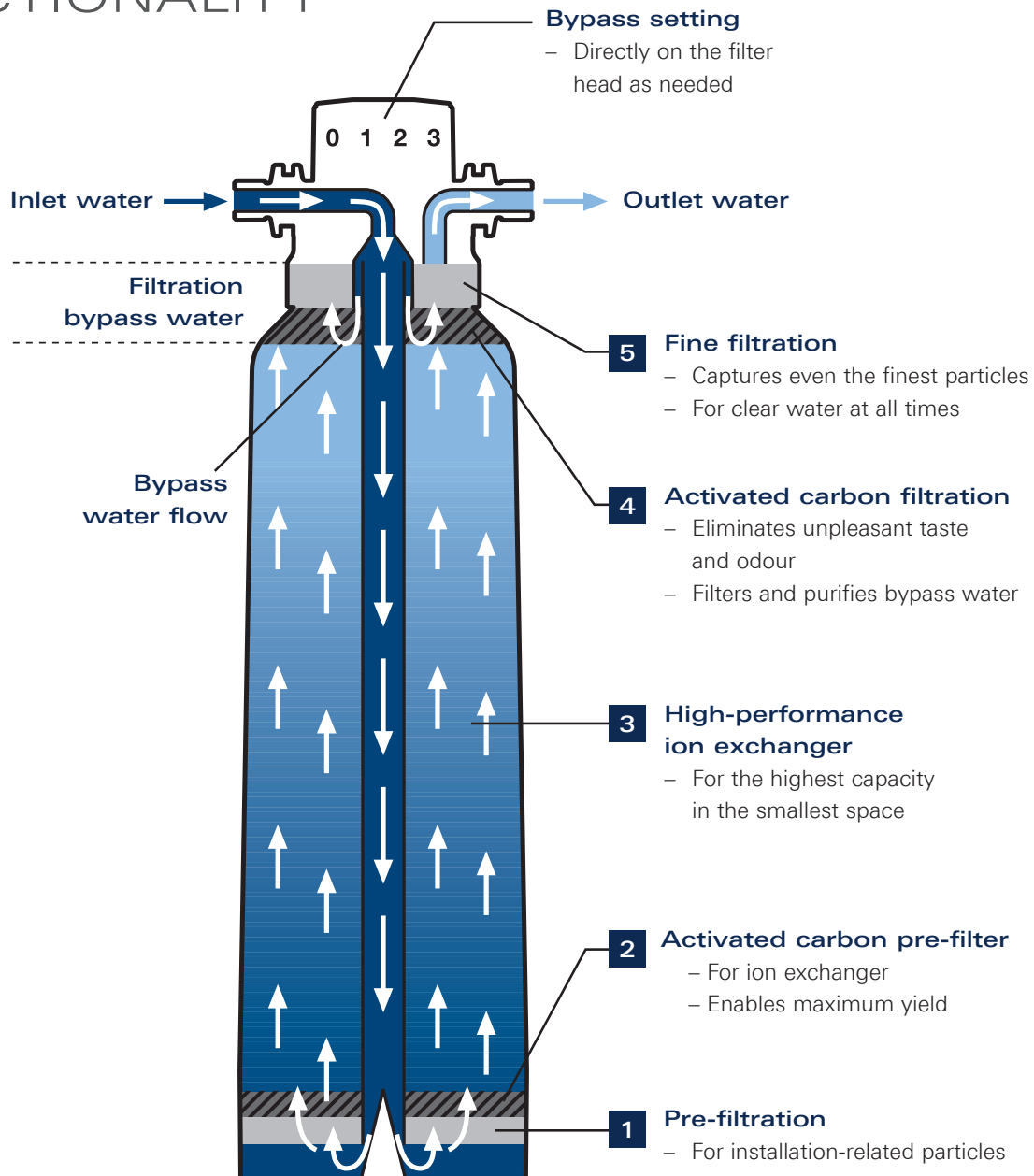
Water is not only the world's most precious resource, but also the basis of all living things. GROHE and BWT, Europe's leading water professionals, represent safety, hygiene and the highest quality standards. We have combined the expertise of our two companies to deliver a completely new water experience.

Tap water is now transformed into pure refreshment, using the innovative GROHE Blue® product range.

GROHE Blue® filters the water with technology supplied by BWT and then cools it down to the ideal temperature for you to enjoy, providing still water with fine bubbles or effervescent, sparkling water straight from the tap.

BWT's global innovation offers all water gourmets a refreshing tasting water, filtered by BWT's unique, patented Mg²⁺ technology and enriched with magnesium. Just perfect for your everyday drinking indulgence.

GROHE BLUE® FILTER FUNCTIONALITY



GROHE BLUE® FILTER 600-3000 LITRES THE DRINKING WATER REFINER



The GROHE Blue® filter cartridge reduces limescale and transforms tap water into refreshing drinking water. The unique 5-step filter technology removes all substances from the water that can impair its odour and taste. It delivers a pure taste experience - one without heavy metals, limescale or chlorine.



5-step filter technology:

- Pre-filtration of particles related to installation
- Activated carbon pre-filter to remove substances which impair odour and taste, such as: Chlorine
- High-performance ion exchanger to reduce the content of limescale and heavy metals
- Activated carbon filtration to remove substances which impair odour and taste, such as: Chlorine
- Fine filtration for capturing the smallest of particles

GROHE BLUE® ACTIVATED CARBON FILTER YOUR SOLUTION FOR SOFT WATER AREAS



The reliable GROHE Blue® Activated Carbon filter cartridge removes unwanted substances that negatively affect the odour and taste of the tap water, such as chlorine, certain organic compounds (e.g. certain insecticides, pesticides, etc.), and it removes particles. The Activated Carbon filter technology guarantees optimum taste without unwanted impurities.

Activated Carbon filter technology:

- Pre-filtration of particles related to installation
- Activated carbon filtration: activated carbon removes organic contaminants as well as undesirable odour and taste (e.g. chlorine).
- Fine filtration captures the smallest of particles

GROHE BLUE® MAGNESIUM+ FILTER REAL PREMIUM GOURMET TASTE



Become a water gourmet - taste the difference. The GROHE Blue® magnesium filter cartridge is perfect for mineralising your drinking water with magnesium. The patented Mg²⁺ filter technology mineralises your drinking water with magnesium and simultaneously removes all substances from the water that can affect its odour and taste. During the exchange process of the calcium contained in the overall hardness, the filter releases magnesium Mg²⁺ into the water, thus producing water that is particularly tasty.

Mg²⁺ Technology:

- Pre-filtration of particles related to installation
- Activated carbon pre-filter removes substances which impair odour and taste, such as: Chlorine
- High-performance ion exchanger reduces the content of limescale and heavy metals, exchanges calcium for magnesium ions
- Activated carbon filtration removes substances which impair odour and taste, such as: Chlorine
- Fine filtration captures the smallest of particles

GROHE BLUE® PAYS OFF.

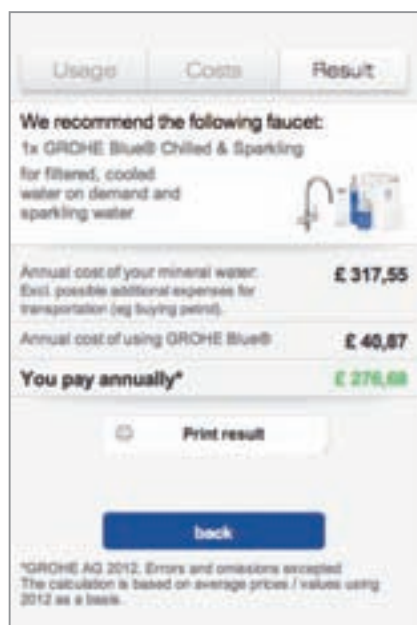
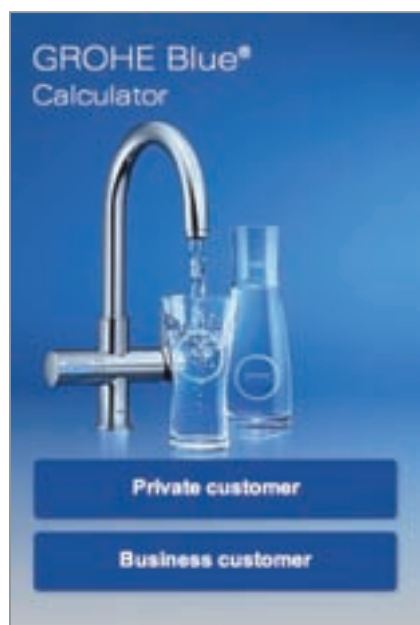
Installing GROHE Blue® is an investment that pays off for your company.
Great-tasting GROHE Blue® costs just one fifth of the price of premium waters.

- One-time investment!
- Rapid return!
- Calculable costs!


Another encouraging cost calculation:

Each filter cartridge can purify up to 600 or 3000 litres* of water.
This is the equivalent of 50 or 250 crates of mineral water.

* Average value, depending on the lime content of the water



Efficiency calculation* – GROHE Blue®

	One-off costs (€):	incl. VAT	excl. VAT
		3.018	2.536
	Ongoing costs (€)		
	annually:	1.471	1.237
	monthly:	123	103
	Overall costs €:	4.490	3.773
	Price/litre - ongoing costs €:	0,22	0,19
	Amortisation period (months):		13

Annual plan	Year 1	Year 2	Year 3	Year 4	Year 5	Overall:
GROHE Blue®	€ 4,490	€ 1,471	€ 1,471	€ 1,471	€ 1,471	€ 10,375
Water in bottles	€ 4,128	€ 4,128	€ 4,128	€ 4,128	€ 4,128	€ 20,640
Savings	(€ 362)	€ 2,657	€ 2,657	€ 2,657	€ 2,657	€ 10,265

*Parameters: 1 kitchen area, 30 users, energy and water costs: average price (Germany), mineral water: average price of commercial branded water

GROHE Deutschland Vertriebs GmbH; 2012;
Subject to change without notice



GROHE BLUE® IS SUSTAINABLE.

GROHE Blue® represents a sustainable approach in line with your company's Corporate Social Responsibility policy and demonstrates a responsible attitude towards the environment.

It takes an astonishing seven litres of water to produce a single litre of mineral water. In Germany alone, this represents more than the entire volume of Lake Constance. Producing mineral water also consumes 2,800 megawatts of energy annually, with CO₂ emissions equivalent to 620,000 diesel vehicles. Moreover, the water industry uses some 1.5 million tons of plastics each year, a large part of which remains un-recycled and ends up as landfill.

**GROHE Blue® sets an example for sustainability in your company.
For employees, customers and partners.**

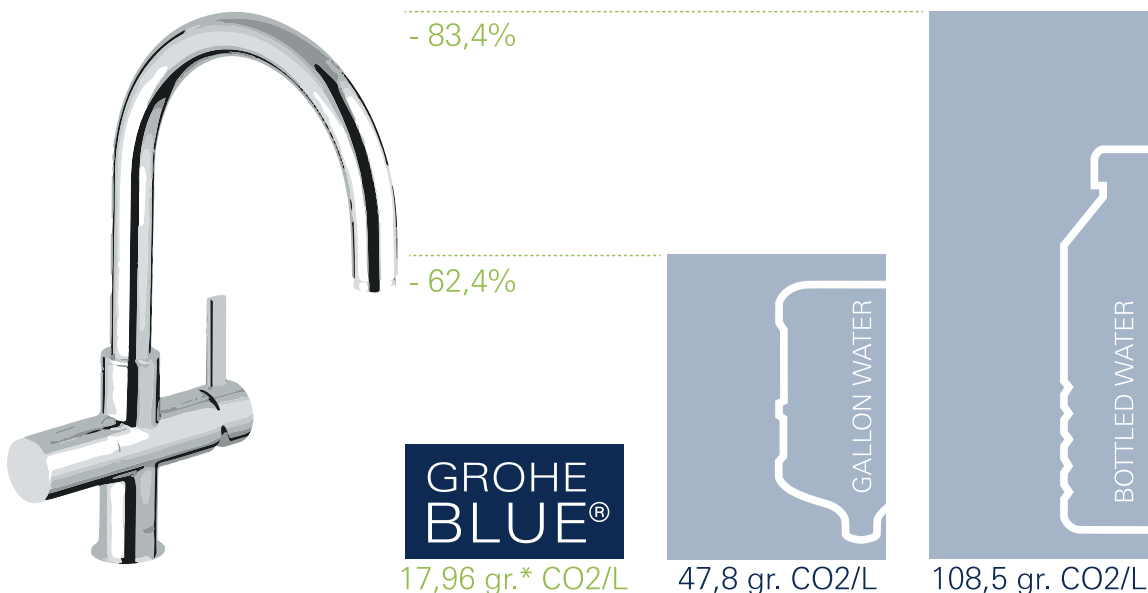
- You protect valuable water resources!
- You reduce your energy consumption!
- You avoid huge quantities of plastic waste!



GROHE WaterCare®

GROHE BLUE® SAVE CO₂ EMISSIONS.

The University of Göttingen made detailed analysis about the influence of drinking water production on our environment. With only 17,96 gr per liter, GROHE Blue® saves up to 62,4% CO₂ emissions compared to gallon water and 83,4% compared to bottled water.





GROHE BLUE® IS CONVENIENT.

YOUR PREVIOUS SOLUTION

- **Water in bottles and crates**
Bottled mineral water is an expensive business. Procurement and delivery costs valuable time, storage requires a large amount of space.
- **Water dispensers and dispenser bottles**
Water from a dispenser quickly becomes flat and does not exactly offer impeccable hygiene standards. Furthermore, dispenser solutions generate high costs and produce vast levels of paper cup waste.
- **Water from the tap**
Normal tap water is certainly a very economical solution. However, it also contains large amounts of suspended solids, limescale, chlorine and heavy metals. In any event, the taste is distinctly bland.

YOUR SOLUTION WITH GROHE Blue®

- Access to fresh, cooled water at any time – still, lightly sparkling or sparkling
- Unlimited consumption at a constant price
- Economical solution for staff refreshment
- Convenient logistics, without costly delivery and disposal
- No monitoring of water stocks necessary
- No space-consuming storage of bottles, crates or containers
- No paper cup costs and no waste
- Ecologically sound, no transport of water bottles and crates

GROHE BLUE® THE PAST



GROHE BLUE® THE FUTURE



GROHE BLUE® IS FLEXIBLE.

It doesn't matter if you want to have a fresh water solution for shops or small medium enterprises. The GROHE Blue® water bar is available for all appliances.

Installed as kitchen tap in the office kitchen or as a water dispenser on the GROHE Blue® water bar.

Water bar includes:

- housing out of water resistant material
- drip tray
- waste water tank with acoustic water control
- aquastop

Size:

- cupboard: 50 x 50x 103cm (LxWxH)
- Backpanel: 50 x 60cm (WxH)



GROHE BLUE® IS SAFE & HYGIENIC FOR 100 % PURENESS

100% safe and biological cleaning for all GROHE Blue® systems

- 100% biological, safe cleaning liquid, even drinkable
- Removes biofilm and bacteria even in hard accessible areas (air and water)
- Nearly worldwide approvals
- No safety hints on the packaging because of 100% biological ingredients
- Possible to use as disinfection liquid for filterhead, faucet & even your hands
- Usable with adapter for Brita and BWT filterheads
- Each cleaning requires 1 cleaning cartridge

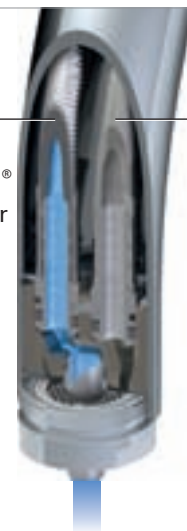


40 434 001
GROHE Blue®
cleaning cartridge

40 554 001
GROHE Blue®
cooler & carbonizer

Hose 1
GROHE Blue®
filtered water

Hose 2
unfiltered water



To ensure that GROHE Blue® water does not come in contact with unfiltered water or with metal parts after filtering, the high-quality fitting features two separate lines – one for the ordinary mains water and one for the purified GROHE Blue® drinking water. This prevents its taste from becoming tainted.

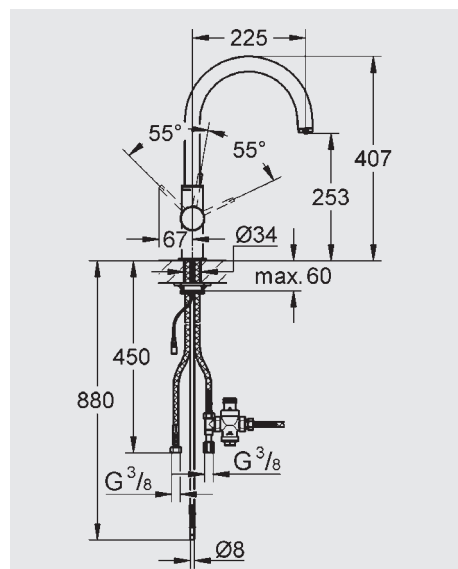
GROHE BLUE® TECHNICAL DATA & DIMENSIONS

Cooler/carbonator electrical data:

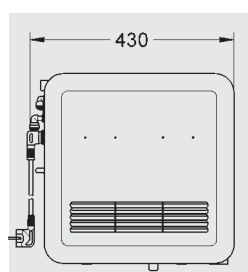
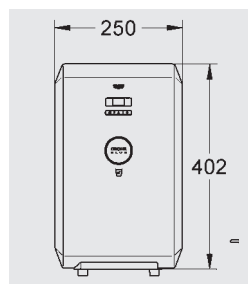
- Connection: Wall socket with earth wire, protected by a 10 A fuse
- Voltage supply: 230 V AC/50 Hz
- Max. power consumption: 370 W
- Standby power loss: < 2.5 W
- Type of protection: IPX4
- Refrigerant: 63 g of R134a
- Safety shut-off of pump: approx. 4 mins

Sanitary data:

- Cooler/carbonator cooled water capacity: 0.8 litres
- Flow pressure: min. 0.5 bar / recommended 1 – 5 bar
- System operating pressure: max. 5 bar
- Test pressure of fitting: 16 bar
- Flow rate at 3 bar flow pressure
 - Fitting (tap water): approx. 9 l/min
 - Cooler/carbonator: approx. 2 l/min
- Ambient temperature: 4 – 30°C
- Temperature
 - Fitting hot water inlet: max. 70°C
 - Recommended (energy saving): 60°C
 - Cooler/carbonator water inlet: max. 20°C
 - Cooled water temperature: approx. 5 – 10°C
- Adjustable bypass, factory setting: 30%
- Filter capacity at 14 – 17°KH: at least 600 litres or 12 months
- Water connection
 - Fitting: cold – blue/hot – red
 - Cooler/carbonator: cold – blue



Fitting dimensions



Cooler/carbonator dimensions

GROHE BLUE® CHILLED & SPARKLING

31 323 001 / 31 323 DC1

GROHE Blue®
consisting of:
GROHE Blue® single-lever sink mixer with filter function
single hole installation
C-spout
separate handle for 3 types of filtered and chilled table water still, medium, sparkling
swivel tubular spout, swivel area 180°
separate inner water ways for filtered and non-filtered water
flexible connection hoses
type of protection IP 55
CE approved



31 324 001 / 31 324 DC1

GROHE Blue®
consisting of:
GROHE Blue® single-lever sink mixer with filter function
single hole installation
U-spout
separate handle for 3 types of filtered and chilled table water still, medium, sparkling
swivel tubular spout, swivel area 180°
separate inner water ways for filtered and non-filtered water
flexible connection hoses
type of protection IP 55
CE approved



31 347 002 / 31 347 DC2

GROHE Blue®
consisting of:
GROHE Blue® Minta single-lever sink mixer with filter function
single hole installation
separate handle for 3 types of filtered and chilled table water still, medium, sparkling
swivel tubular spout
swivel area 140°
separate inner water ways for filtered and non-filtered water
flexible connection hoses
type of protection IP 55
CE approved



31 302 001 / 31 302 DC1

GROHE Blue®
consisting of:
GROHE Blue® Minta Mono faucet with filter function
single hole installation
handle for 3 types of filtered and chilled table water still, medium, sparkling
GROHE StarLight® chrome finish
swivel tubular spout
swivel area 140°
flexible connection hoses
type of protection IP 55
CE approved



31 346 001 / 31 346 DC1

GROHE Blue®
consisting of:
GROHE Blue® K7 single-lever sink mixer with filter function
single hole installation
separate handle for 3 types of filtered and chilled table water still, medium, sparkling
swivel cast spout
swivel area 140°
separate inner water ways for filtered and non-filtered water
flexible connection hoses
type of protection IP 55
CE approved



GROHE BLUE® CHILLED



31 382 000 / 31 382 DC0
GROHE Blue®
consisting of:
GROHE Blue® single-lever sink mixer
with filter function
single hole installation
C-spout
separate handle for 3 types of filtered
and chilled table water
unchilled, medium chilled, full chilled
swivel tubular spout, swivel area 180°
separate inner water ways for filtered
and non-filtered water
flexible connection hoses
type of protection IP 21
CE approved



31 383 000 / 31 383 DC0
GROHE Blue®
consisting of:
GROHE Blue® single-lever sink mixer
with filter function
single hole installation
U - spout
separate handle for 3 types of filtered
and chilled table water
unchilled, medium chilled, full
chilledswivel tubular spout,
swivel area 180°
separate inner water ways for filtered
and non-filtered water
flexible connection hoses
type of protection IP 21
CE approved



31 381 001 / 31 381 DC1
GROHE Blue®
consisting of:
GROHE Blue® Minta single-lever sink
mixer with filter function
single hole installation
separate handle for 3 types of filtered
and chilled table water
unchilled, medium chilled, full chilled
swivel tubular spout
swivel area 140°
separate inner water ways for filtered
and non-filtered water
flexible connection hoses
type of protection IP 21
CE approved



31 384 000 / 31 384 DC0
GROHE Blue®
consisting of:
GROHE Blue® Minta single-lever sink
mixer with filter function
single hole installation
separate handle for 3 types of filtered
and chilled table water
unchilled, medium chilled, full chilled
swivel tubular spout
swivel area 140°
separate inner water ways for filtered
and non-filtered water
flexible connection hoses
type of protection IP 21
CE approved

GROHE BLUE® PURE



33 249 001 / 33 324 DC1
GROHE Blue®
consisting of:
GROHE Blue® single-lever sink mixer
with filter function
single hole installation
C-spout
separate handle for filtered water
swivel tubular spout
swivel area 180°
separate inner water ways for filtered
and non-filtered water
flexible connection hoses
type of protection IP 55
CE approved



31 299 001 / 31 299 DC1
GROHE Blue®
consisting of:
GROHE Blue® single-lever sink mixer
with filter function
single hole installation
U - spout
swivel tubular spout
swivel area 180°
separate inner water ways for filtered
and non-filtered water
flexible connection hoses
type of protection IP 55
CE approved



31 345 002 / 31 345 DC2
GROHE Blue®
consisting of:
GROHE Blue® Minta single-lever sink
mixer with filter function
single hole installation
separate handle for filtered water
swivel tubular spout
swivel area 140°
separate inner water ways for filtered
and non-filtered water
flexible connection hoses
type of protection IP 55
CE approved



31 301 001 / 31 301 DC1
GROHE Blue®
consisting of:
GROHE Blue® Minta single-lever sink
mixer with filter function
single hole installation
separate handle for filtered water
swivel tubular spout
swivel area 140°
separate inner water ways for filtered
and non-filtered water
flexible connection hoses
type of protection IP 55
CE approved



31 344 001 / 31 344 DC1
GROHE Blue®
consisting of:
GROHE Blue® K7 single-lever sink
mixer with filter function
single hole installation
separate handle for filtered water
swivel cast spout
swivel area 140°
separate inner water ways for filtered
and non-filtered water
flexible connection hoses
type of protection IP 55
CE approved

GROHE RED™ BOILING WATER IN AN INSTANT.

Is there always enough time to make tea or prepare a snack at work? If not, we have the optimum solution: GROHE Red™ provides boiling water with no waiting time.

- Boiling water!
- Immediately, when you need it!
- As much as is required!



GROHE RED™ SAVES TIME TO FOCUS ON THE KEY – YOUR BUSINESS.

GROHE Red™ simplifies life and speeds up the workflow. More hot drinks are consumed in the office than anywhere else. From now on, nobody needs to wait for the kettle to boil.



100° C water, 100% convenience

GROHE RED™ SAVES SPACE.

The innovative water system creates more order in the office kitchen. GROHE Red™ consists only of the attractive fitting and a boiler which can be easily installed under any normal sink.



GROHE RED™ IS CONVENIENT.

YOUR PREVIOUS SOLUTION

- **Kettle**
Heating up the water takes several minutes which costs time and money. Also a kettle has to be inspected regularly to ensure they meet local regulations for electrical appliances in the office.
- For GROHE Red™ as fixed kitchen appliances these checks aren't necessary.
- Do you know that kettles invite to waste water 30% of boiled water in kettles won't be used.

YOUR SOLUTION WITH GROHE Red™

- Boiling water at in instant, no need to wait
- No regular electrical inspection as it is a fixed installation
- Saves space on the kitchen worktop and keeps the office kitchen in a clean look
- Filtered water to make teas even taste better

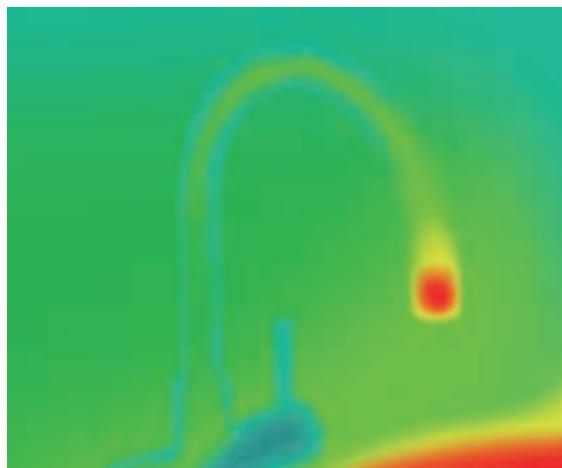
GROHE RED™ DOES NOT ECONOMISE ON SAFETY.

GROHE Red™ has been designed to accommodate the needs of all users and all types of installation. The collection features two sizes of faucet: Duo and Mono and two sizes of boiler: 4 litres and 8 litres. The larger Duo model replaces a standard kitchen faucet – enabling you to draw boiling hot water in addition to regular mixed water. When combined with the large boiler, it is ideal for kitchens without a hot water supply. The smaller Mono faucet supplies boiling water only and is the perfect companion to a GROHE Blue® water system.



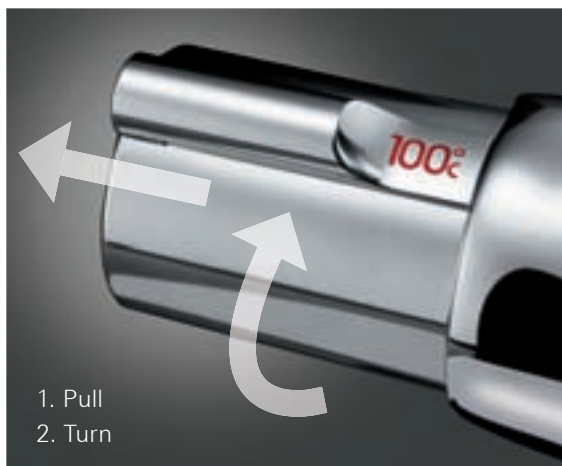
GROHE CoolTouch®

GROHE CoolTouch® technology insulates the faucet so well that you can touch it without any risk at all. Even for those little fingers that sometimes touch things they shouldn't. Our engineers have found a solution to childhood curiosity and grown-up absentmindedness.



ChildLock

ChildLock does not rule out the possibility of scalding from 100 °C water, but it does make it practically impossible: for the boiling water to flow, you must first pull and then turn the left handle. This child-resistant feature has been independently tested and certified.



GROHE Red™ Titanium Boiler

All boilers in our GROHE Red™ collection are made from titanium. Unlike stainless steel and copper, two metals traditionally used for boilers, titanium is highly resistant to corrosion and limescale build-up – ensuring perfect performance over a lifetime.

Titanium is also bio-compatible, hence why it is used in medical applications e.g. surgical instruments and implants. And as it imparts no metallic taste to the water, the boiling water that comes out of your GROHE Red™ faucet will always taste exactly the same as it did before entering the boiler.



GROHE RED™ TECHNICAL DATA AND DIMENSIONS

Boiler electrical data:

- Connection: Wall socket with earth wire, protected by a 16 A fuse, voltage supply: 230V AC/50 Hz
- Power consumption: 2,100W
- Standby power loss (on): 15W
- Standby power loss (off): 1W

Sanitary data:

- Flow pressure: min. 0.5 bar, recommended 1-5 bar
- Operating pressure: max. 8 bar
- Test pressure: 16 bar

8 litre boiler technical data:

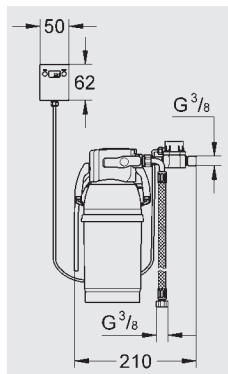
- Contents: 8 litres
- Heating time from 10°C to 100°C: approx. 23 min
- Boiling water: approx. 6 l/min at 3 bar flow pressure
- Mixed water: approx. 15 l/min at 3 bar flow pressure

External safety assembly:

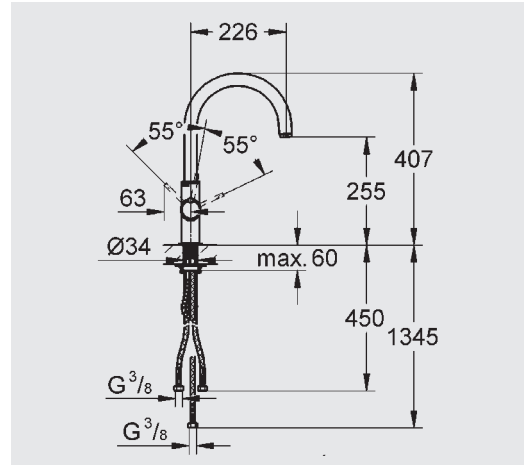
- Boiler dimensions: 525 x 210 x 300 mm

Special filter for GROHE Red™:

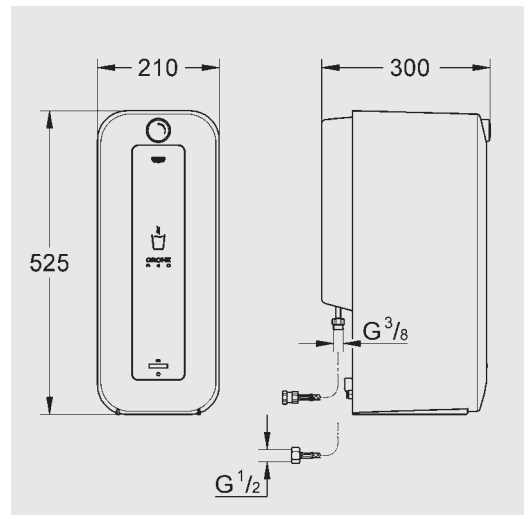
- GROHE Red™ is suitable for water hardnesses up to 12 °dH
- Special filter 40 438 is required in areas with a water hardness exceeding 12 °dH (not included in the delivery specification)



Special filter



Fitting dimensions



8 litre boiler dimensions

THE SOFT SOLUTION FOR HARD WATER

Not only does limescale ruin the taste and appearance of hot drinks, it reduces the efficiency of appliances too.

Maximum Efficiency

In water boilers, limescale deposits impair the flow of heat into the water and reducing the efficiency of the product. Unlike other similar products, the GROHE Red® system comes complete with a five-stage water filter to remove the minerals which cause the build up of limescale.

A Purer Taste

Green tea, white tea or coffee? Whatever your preference is, GROHE Red™ lets the taste and appearance shine through. Filtering the water before it enters the boiler transforms hard water into soft water – so your hot drinks will always look and taste as they should.

Low Maintenance

The filter head is adjusted to match the level of water hardness (°dH) in your area and only needs replacing once every twelve months, or when it has reached its capacity. The capacity is measured by a digital flow meter which is directly attached to the filter head. Each time you replace the filter, simply reset the digital counter and enter the volume which corresponds to your water hardness.



40 438 001
GROHE Red™ Filter
with filter head, 600 litres

GROHE RED™ MONO

30 085 000 / 30 085 DC0
GROHE Red™
consisting of:
GROHE Red™ Mono pillar tap
for boiling water
single hole installation
C-spout
GROHE ChildLock handle
for boiling water
certified safety handle
with a pull and turn closure
GROHE CoolTouch®
swivel, insulated tubular spout
stop limiter
GROHE Red™ single boiler
reservoir for 3 liter boiling water



30 147 000 / 30 147 DC0
GROHE Red™
consisting of:
GROHE Red™ Mono pillar tap
for boiling water
single hole installation
U - spout
GROHE ChildLock handle
for boiling water
certified safety handle
with a pull and turn closure
GROHE CoolTouch®
swivel, insulated tubular spout
stop limiter
GROHE Red™ single boiler
reservoir for 3 liter boiling water



30 080 000 / 30 080 DC0
GROHE Red™
consisting of:
GROHE Red™ Mono pillar tap
for boiling water
single hole installation
C-spout
GROHE ChildLock handle
for boiling water
certified safety handle
with a pull and turn closure
headpart 1/2"
GROHE CoolTouch®
swivel, insulated tubular spout
stop limiter
GROHE Red™ combi boiler
reservoir for boiling and hot water
6 liter boiling water 100° C or 11 liter



30 157 000 / 30 157 DC0
GROHE Red™
consisting of:
GROHE Red™ Mono pillar tap
for boiling water
single hole installation
U - spout
GROHE ChildLock handle
for boiling water
certified safety handle
with a pull and turn closure
GROHE CoolTouch®
swivel, insulated tubular spout
stop limiter
GROHE Red™ combi boiler
reservoir for boiling and hot water
6 liter boiling water 100° C or 11 liter



GROHE RED™ DUO

30 083 000 / 30 083 DC0
GROHE Red™
consisting of:
GROHE Red™ Duo
single-lever sink mixer
single hole installation
C-spout
GROHE ChildLock handle
for boiling water
certified safety handle
with a pull and turn closure
GROHE CoolTouch®
swivel, insulated tubular spout
swivel area 180°
separate water ways
GROHE Red™ single boiler
reservoir for 3 liter boiling water



30 145 000 / 30 145 DC0
GROHE Red™
consisting of:
GROHE Red™ Duo
single-lever sink mixer
single hole installation
U - spout
GROHE ChildLock handle
for boiling water
certified safety handle
with a pull and turn closure
GROHE CoolTouch®
swivel, insulated tubular spout
swivel area 180°
separate water ways
GROHE Red™ single boiler
reservoir for 3 liter boiling water



30 079 000 / 30 079 DC0
GROHE Red™
consisting of:
GROHE Red™ Duo
single-lever sink mixer
single hole installation
C-spout
GROHE ChildLock handle
for boiling water
certified safety handle
with a pull and turn closure
GROHE CoolTouch®
swivel, insulated tubular spout
separate water ways
swivel area 180°
GROHE Red™ combi boiler
reservoir for boiling and hot water
6 liter boiling water 100° C or 11 liter



30 156 000 / 30 156 DC0
GROHE Red™
consisting of:
GROHE Red™ Duo
single-lever sink mixer
single hole installation
U - spout
GROHE ChildLock handle
for boiling water
certified safety handle
with a pull and turn closure
headpart 1/2"
GROHE CoolTouch®
swivel, insulated tubular spout
separate water ways
swivel area 180°
GROHE Red™ combi boiler
reservoir for boiling and hot water
6 liter boiling water 100° C or 11 liter



GROHE BLUE® AND GROHE RED™ YOUR NEW TOP PERFORMERS.

Both innovative GROHE water systems complement each other perfectly. For economic use in the office, we recommend the combination of GROHE Blue® and GROHE Red™. So everything required in the office kitchen is available immediately and with the utmost efficiency:

- Filtered, chilled and sparkling tap water
- Boiling water
- Regular cold/hot mixed water



Modern and efficient company solutions
for chilled, filtered and hot water production.



GROHE BLUE® AND GROHE RED™ REST EASY WITH OUR 5 YEAR GUARANTEE.



You can always rely on the performance and quality of the innovative GROHE Blue® and GROHE Red™ water systems. Which is why we provide a full 5 year guarantee – far in excess of the 2 year legal minimum.

For more details on our guarantee, please see the Service area at www.grohe.com or speak with your GROHE representative.

GROHE BLUE® AND GROHE RED™ OPTIMUM MIXED CALCULATION.

Both innovative GROHE water systems complement each other perfectly. For economic use in the office, we recommend the combination of GROHE Blue® and the GROHE Red™ Mono version, which produces boiling water.

So everything required in the office kitchen is available immediately and with the utmost efficiency:

- Fresh, cooled tap water
- Boiling water
- Regular cold/hot mixed water

Efficiency calculation – GROHE Red™ and GROHE Blue® in combination

	One-off costs (€):	incl. VAT	4.780	excl. VAT	4.017	
	Ongoing costs (€)					
	annually:		1.534	1.289		
	monthly:		128	107		
	Overall costs €:		6.314	5.306		
	Price/litre – ongoing costs €:		0,17	0,15		
	Amortisation period (months):				11	
Annual plan	Year 1	Year 2	Year 3	Year 4	Year 5	Overall:
GROHE Blue® and GROHE Red™	6.314 €	1.534 €	1.534 €	1.534 €	1.534 €	12.452 €
Water bottles and kettle*	6.481 €	6.481 €	6.481 €	6.481 €	6.481 €	32.404 €
Savings	167 €	4.946 €	4.946 €	4.946 €	4.946 €	19.952 €

*Parameters: 1 kitchen area, GROHE Blue®: 30 users, energy and water costs: average price (Germany), mineral water: average price of commercial branded water and GROHE Red™: average power costs (Germany), employee working time (min), 10 people

GROHE Deutschland Vertriebs GmbH; 2012;
Subject to change without notice

ALREADY AT HOME IN WELL KNOWN COMPANIES GROHE BLUE® AND GROHE RED™

Here are innovative, stunningly simple solutions for every office:

GROHE Blue® turns ordinary tap water into pure refreshment from the office's incoming water source. Water is chilled and emerges as still, lightly sparkling or sparkling – completely according to taste. The innovative water system is fitted with a filter that is concealed under the sink and removes the heavy metals, limescale, suspended particles, chlorine and other impurities that can impair taste and odour. Conventional tap water simply cannot compare with the fine taste of GROHE Blue®.

GROHE Red™ simplifies life and speeds up the workflow. More hot drinks are consumed in the office than anywhere else. From now on, nobody needs to wait for the kettle to boil. So GROHE Red™ saves time. GROHE Red™ proves that convenience and environmental awareness do not have to be mutually exclusive. In contrast to a kettle or boiling water on a hob, you only heat exactly as much water as you need. This saves your company water, energy and costs.

"Since installing GROHE Blue®, we've seen a clear improvement in staff health and motivation levels, and have benefited in every respect. We now enjoy more space in staff kitchen areas, no more empties and plastic waste, and pure fresh water is always at hand."

Gerhard Zeitler, Project Manager at Vodafone



Youtube link: <http://youtu.be/jg21rB2OUHk>



MIELE Headquarter | Gütersloh | Germany



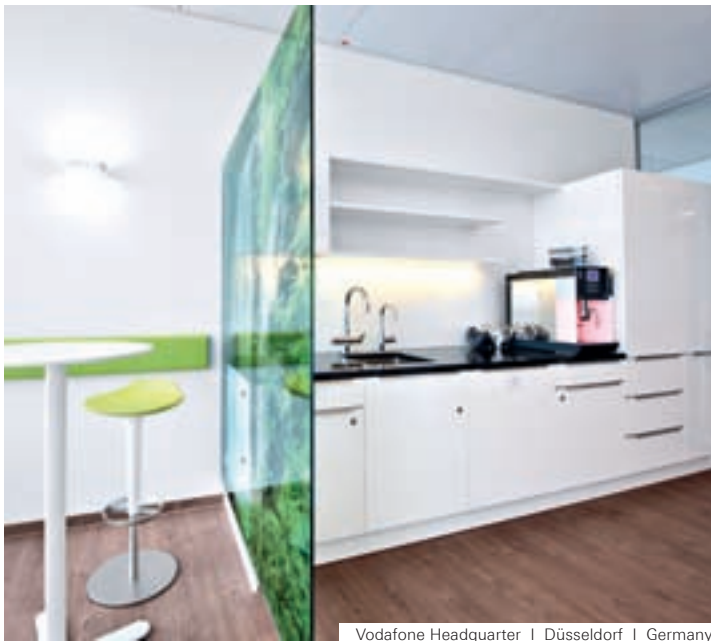
Vodafone Headquarter | Düsseldorf | Germany



Vodafone Office | München | Germany



Vodafone Headquarter | Düsseldorf | Germany



Vodafone Headquarter | Düsseldorf | Germany



Vodafone Office | München | Germany

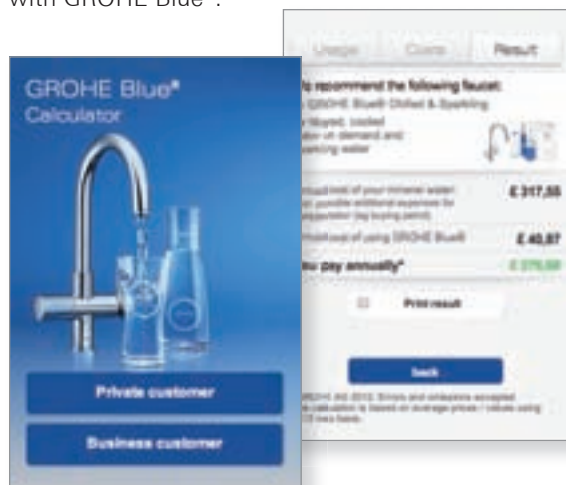
GROHE ONLINE DIGITAL ANSWERS TO YOUR QUESTIONS

Have you found the fitting you want, but need more detailed information? You can look up your favourite products on our website. Here you will also find the answers to questions about where you can view, test or purchase the products.



GROHE BLUE® CALCULATOR

Calculate how much money you can save with GROHE Blue®.



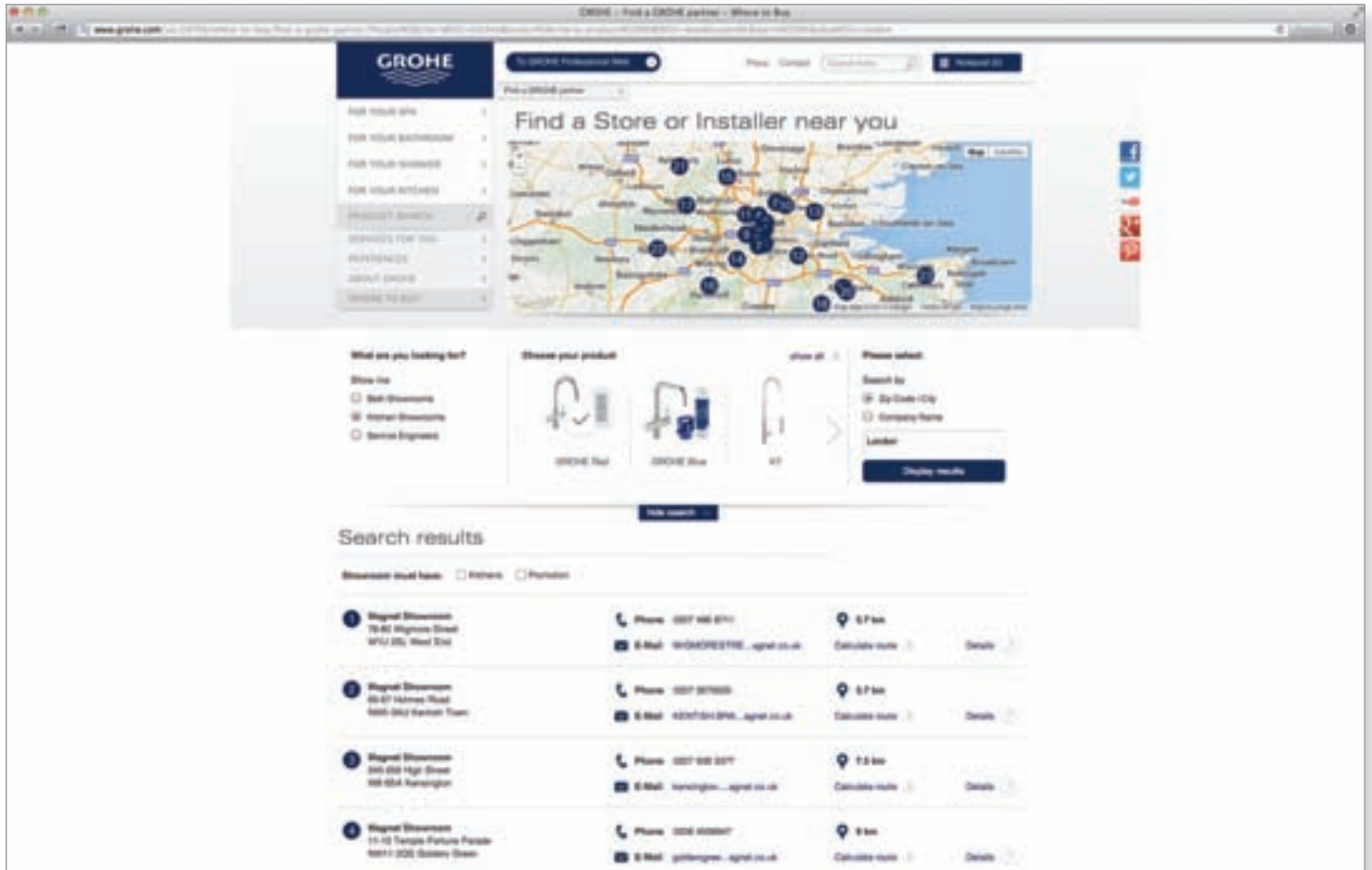
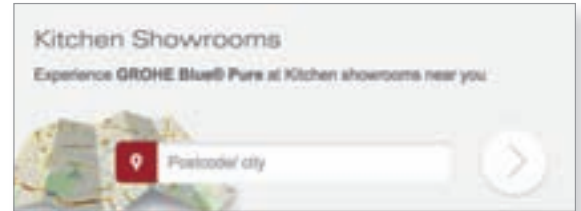
GROHE RED™ CONFIGURATOR

Configure your GROHE Red™ watersystem in a few simple steps.



KITCHEN SHOWROOMS

Here you will find your nearest kitchen showroom. Simply enter your town and postcode in the search box and select your product to find your GROHE partner.



INSTALLATION & PRODUCT VIDEOS

Our faucet videos give you advice for mounting our products, answer technical questions as well as explain our unique technologies.



Grohe AG
Feldmühleplatz 15
D - 40545 Düsseldorf
Germany

04/2014 - Copyright by GROHE

VISIT US ONLINE

Follow us

GROHE.COM



Please observe the country-specific conditions of the manufacturer's guarantee.

GROHE BROCHURES

GROHE SPA®
Brochure

GROHE Bath
Brochure

GROHE Kitchen

