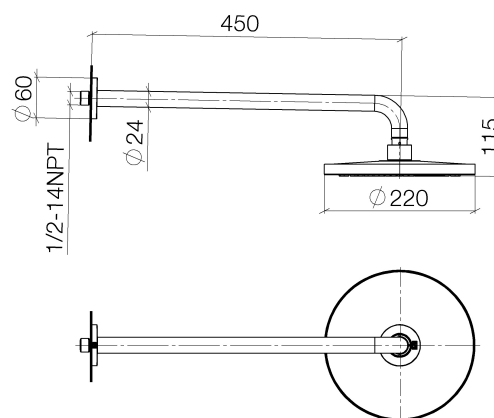




Product specifications

- **450 mm projection**
- rain flow
- with anti-scale system
- rain shower \varnothing 220mm
- rosette \varnothing 60 mm
- 1/2" connection
- max. flow 9 l/min

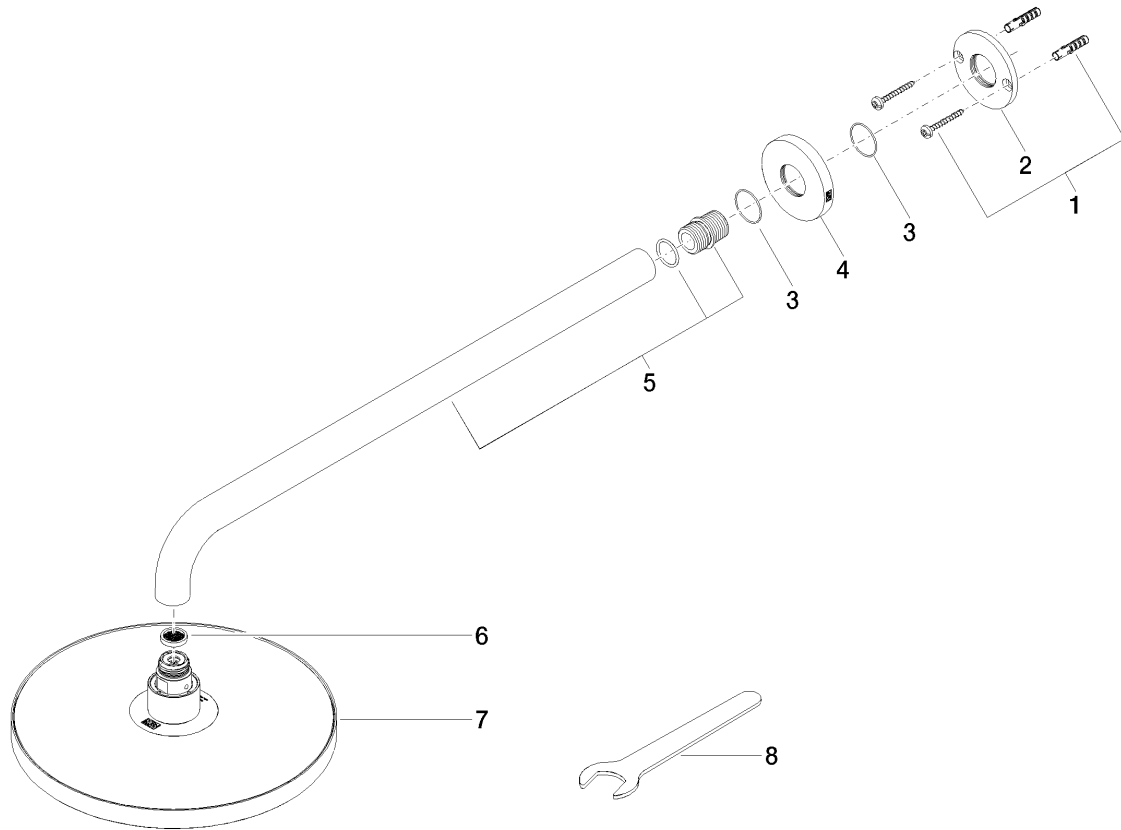
Available for delivery from the second quarter of 2017.



Surfaces

- | | |
|-----------------|-------------|
| • chrome | 28649970-00 |
| • platinum matt | 28649970-06 |

Exploded assembly drawing



Order quantity

| No. | Article number | Name | Installation quantity |
|------------|-----------------------|-------------|------------------------------|
| 1 | 0430310320090 | fixing set | 1 |
| 2 | 09172012090 | holder | 1 |
| 3 | 09141015090 | seal | 2 |
| 4 | 092797015ff | rosette | 1 |
| 5 | 90110307000ff | pipe | 1 |
| 6 | 09230107590 | insert | 1 |
| 7 | 04120509200ff | shower | 1 |
| 8 | 09300906990 | key | 1 |

Flow rate chart

