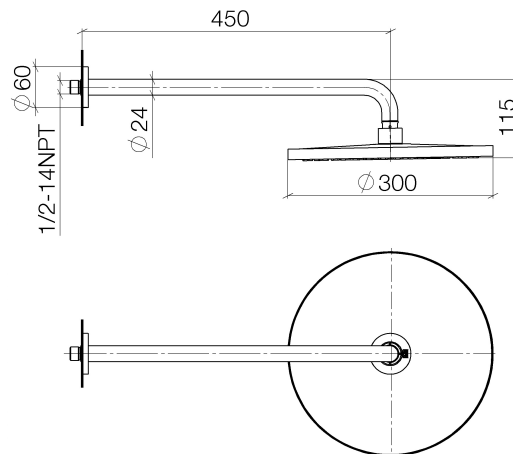




Product specifications

- **450 mm projection**
- rain flow
- with anti-scale system
- rain shower \varnothing 300mm
- rosette \varnothing 60 mm
- 1/2" connection
- max. flow 14 l/min

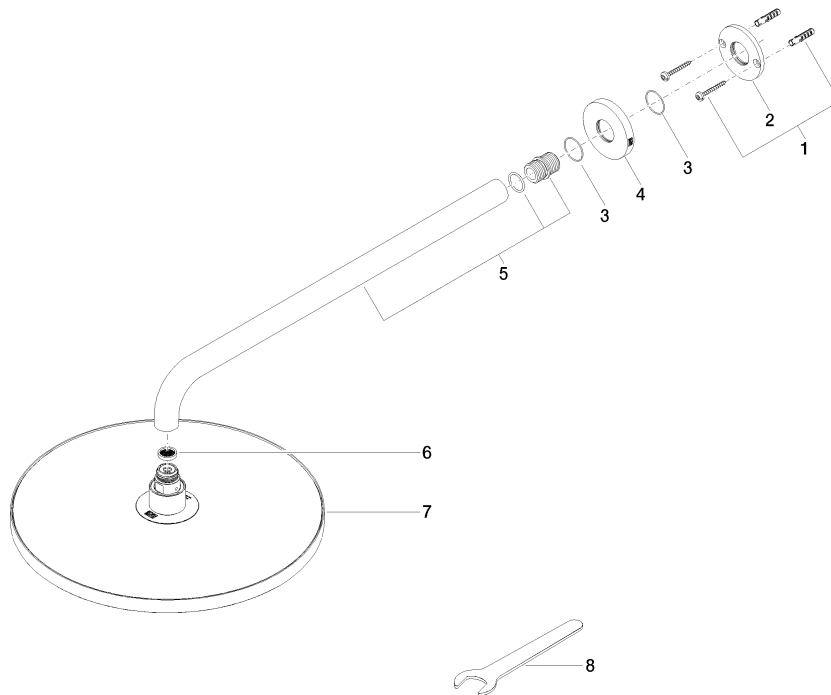
Available for delivery from the second quarter of 2017.



Surfaces

- chrome 28679970-00
- platinum matt 28679970-06

Exploded assembly drawing



Order quantity

No.	Article number	Name	Installation quantity
1	0430310320090	fixing set	1
2	09172012090	holder	1
3	09141015090	seal	2
4	092797015ff	rosette	1
5	90110307000ff	pipe	1
6	09230107590	insert	1
7	04120509100ff	shower	1
8	09300906990	key	1

Flow rate chart

